

MGM80S*A & MGD80S*A

PRODUCT SPECIFICATIONS

GAS FURNACE SINGLE STAGE



Note: Not Sold In Canada

California Only

If installed in South Coast Air Quality Management District (SCAQMD) only: This furnace does not meet the SCAQMD Rule 1111 NOx emission limit (14 ng/j), and thus is subject to a mitigation fee of up to \$450. This furnace is not eligible for the Clean Air Furnace Rebate Program: www.CleanAirFurnaceRebate.com.

If installed in San Joaquin Valley Air Pollution Control District (SJVAPCD) only: This furnace does not meet the SJVAPCD Rule 4905 NOx emission limit (14 ng/j), and thus is subject to a mitigation fee of up to \$450.

INSTALLATION FEATURES

- Left or right utility connections
- Removable floor base for bottom return air upflow / horizontal units)
- Zero step horizontal conversion

CONFIGURATIONS

- Upflow / Horizontal
- Downflow

HEAT EXCHANGER DESIGN

- Aluminized steel tapered crimped non-welded clam shell heat exchanger design

BURNERS

- Aluminized steel inshot burners for smooth ignition

CABINET DESIGN

- Compact 33" height
- Standardized widths for easy coil fit

AIR DELIVERY SYSTEM

- Multi-speed high efficiency (constant torque) blower motor
- Easily removable slide out blower design
- Enhanced cooling SEER ratings when applied with properly matched cooling equipment

CONTROLS

- Single stage gas valve
- Durable silicon nitride ignitor
- Self diagnostics saving last 10 fault codes regardless of power interruption
- Control features electronic air cleaner and humidifier terminals

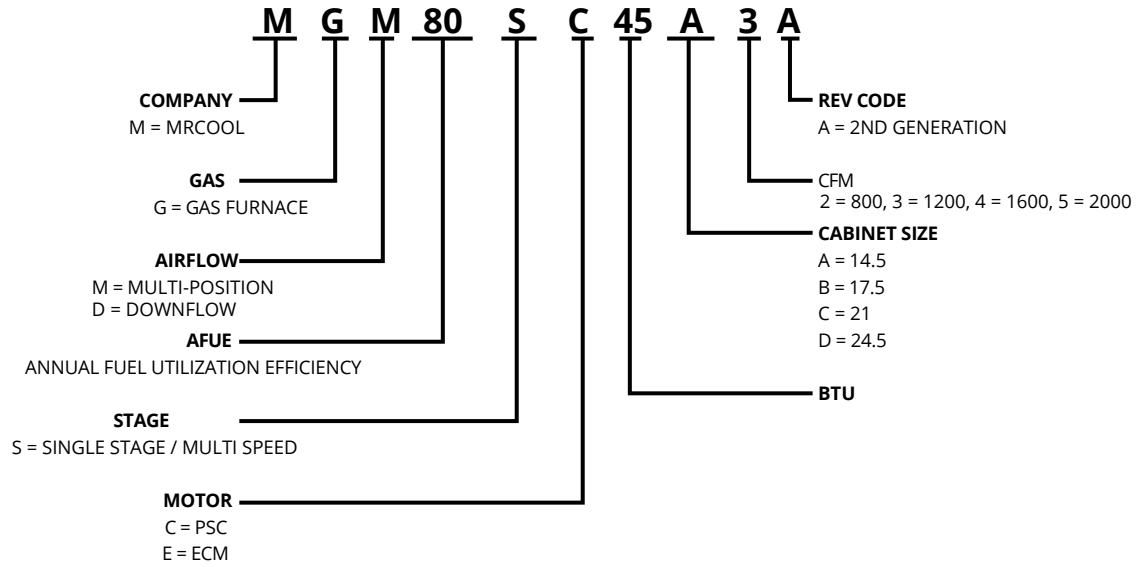
VENTING

- Rotatable draft inducer for venting flexibility

WARRANTY

10-Year limited parts warranty / lifetime heat exchanger warranty available. See limited warranty document for details.

MODEL NUMBER GUIDE



PHYSICAL AND ELECTRICAL DATA

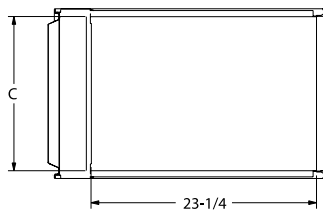
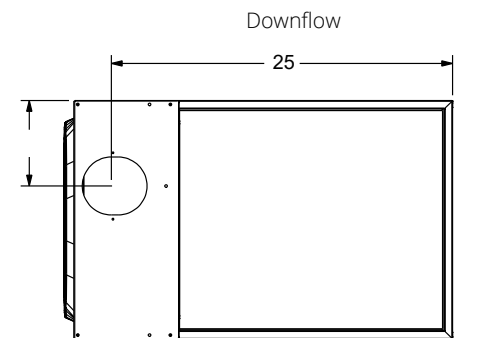
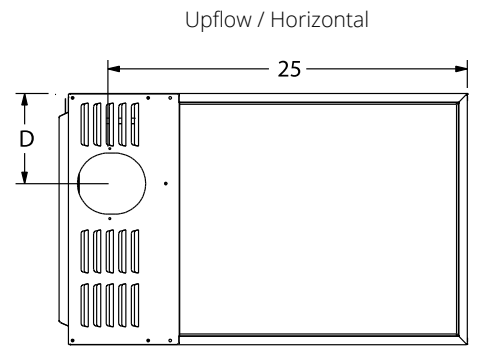
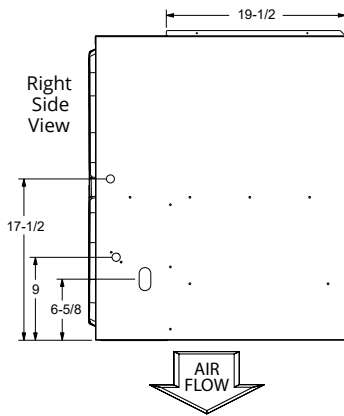
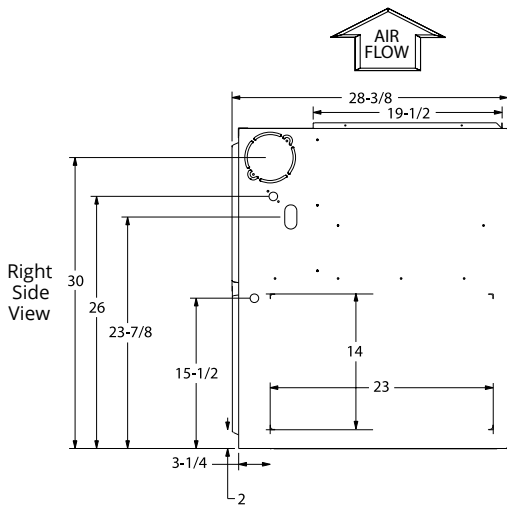
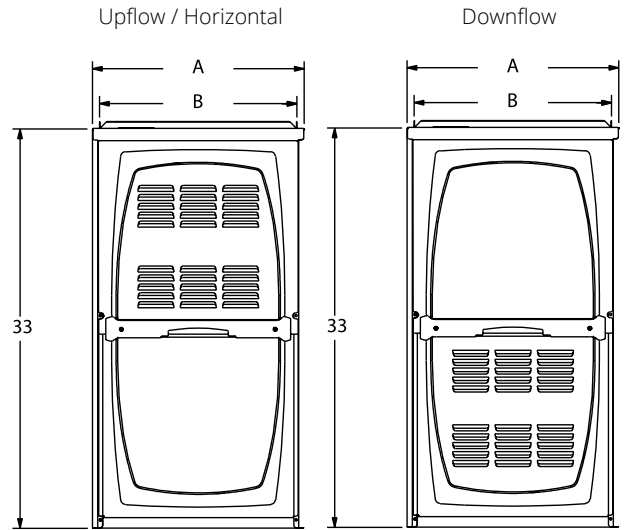
	Model	Input (Btuh)	Output (Btuh)	AFUE (ICS)	Nom. Cooling Capacity	Gas Inlet (in.)	Volts/ Hz/ Phase	Max. Time Delay Breaker or Fuse	Nominal F.L.A.	Trans. (V.A.)	Approx. Shipping Weight (lbs.)
UPFLOW / HORIZONTAL	MGM80SE045A3A	44,000	35,200	80.0%	1-1/2 — 3	1/2	120-60-1	15	6.8	40	111
	MGM80SE070B3A	66,000	52,800	80.0%	1-1/2 — 3	1/2	120-60-1	15	6.8	40	127
	MGM80SE090B4A	88,000	70,400	80.0%	2-1/2 — 4	1/2	120-60-1	15	8.4	40	142
	MGM80SE090C5A	88,000	70,400	80.0%	3 — 5	1/2	120-60-1	15	10.9	40	152
	MGM80SE110C5A	110,000	88,000	80.0%	4 — 5	1/2	120-60-1	15	10.9	40	160
	MGM80SE135D5A	132,000	105,600	80.0%	4 — 5	1/2	120-60-1	15	10.9	40	178
DOWNFLOW	MGD80SE045A3A	44,000	35,200	80.0%	2 — 3	1/2	120-60-1	15	6.8	40	113
	MGD80SE070B3A	66,000	52,800	80.0%	2 — 3	1/2	120-60-1	15	6.8	40	128
	MGD80SE090B4A	88,000	70,400	80.0%	3 — 4	1/2	120-60-1	15	8.4	40	140
	MGD80SE110C5A	110,000	88,000	80.0%	4 — 5	1/2	120-60-1	15	10.9	40	160

Note: For vent length and clearances to combustibles, please reference installation instructions.

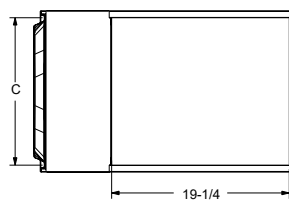
DIMENSIONS (IN.)

	Model	A	B	C	D
UPFLOW / HORIZONTAL	MGM80SE045A3A	14-1/2	13-3/8	13	4-3/4
	MGM80SE070B3A	17-1/2	16-3/8	16	6-1/4
	MGM80SE090B5A	17-1/2	16-3/8	16	6-1/4
	MGM80SE090C4A	21	19-3/8	19-1/2	8
	MGM80SE110C5A	21	19-3/8	19-1/2	8
	MGM80SE135D5A	24-1/2	23-3/8	23	9-3/4
DOWNFLOW	MGD80SE045A3A	14-1/2	13-3/8	13	4-3/4
	MGD80SE070B3A	17-1/2	16-3/8	16	6-1/4
	MGD80SE090B4A	17-1/2	16-3/8	16	6-1/4
	MGD80SE110C5A	21	19-7/8	19-1/2	8

FrontView



Bottom View



Bottom View

BLOWER PERFORMANCE DATA

	Model	Motor Size (hp)	Blower Size	Temp Rise (°F)	Blower Speed	CFM @ External Static Pressure - " w.c.						
						0.20	0.30	0.40	0.50	0.60	0.70	0.80
UPFLOW / HORIZONTAL	MGM80SE045A3A	1/2	10 x 8	15 - 45	High	1320	1290	1265	1230	1190	1165	1130
					Med/High	1080	1055	1010	990	945	915	880
					Med	900	875	825	790	750	705	670
					Med/Low	805	750	710	660	630	570	535
					Low	700	640	595	535	500	435	380
	MGM80SE070B3A	1/2	10 x 10	40 - 70	High	1355	1330	1290	1245	1225	1190	1160
					Med/High	1225	1190	1155	1115	1045	1000	925
					Med	1110	1060	1015	980	920	855	790
					Med/Low	1080	1035	970	930	865	790	735
	MGM80SE090B4A	3/4	10 x 10	35 - 65	High	1730	1690	1645	1615	1590	1545	N/A
					Med/High	1505	1460	1435	1395	1350	1300	1270
					Med	1380	1345	1310	1265	1210	1175	1140
					Med/Low	1310	1275	1240	1180	1150	1095	1040
	MGM80SE090C5A	1	11-1/2 x 10	30 - 60	High	2150	2125	2090	2060	2020	1980	1935
					Med/High	1865	1835	1800	1760	1725	1680	1635
					Med	1655	1635	1585	1545	1515	1465	1420
					Med/Low	1490	1450	1405	1370	1320	1265	1225
	MGM80SE110C5A	1	11-1/2 x 10	35 - 65	High	2135	2090	2050	2025	2010	1965	1905
					Med/High	1865	1830	1785	1740	1710	1670	1635
					Med	1630	1595	1550	1500	1470	1420	1380
Med/Low					1470	1440	1385	1340	1305	1255	1215	
MGM80SE135D5A	1	11 x 11	30 - 60	High	2390	2360	2285	2240	2225	2160	2105	
				Med/High	2175	2140	2125	2060	2015	1955	1925	
				Med	1935	1895	1850	1815	1785	1755	1715	
				Med/Low	1735	1720	1660	1610	1535	1500	1435	
MGM80SE135D5A	1	11 x 11	30 - 60	Low	1550	1485	1455	1415	1330	1265	1215	
				High	1375	1335	1320	1275	1245	1215	1175	
				Med/High	1145	1120	1075	1045	1000	970	925	
				Med	950	915	870	835	785	745	695	
DOWNFLOW	MGD80SE045A3A	1/2	10 x 8	15 - 45	Med/Low	840	790	745	715	655	605	555
					Low	725	665	625	565	520	455	400
					High	1400	1360	1310	1280	1250	1220	1165
					Med/High	1230	1205	1155	1110	1060	1000	935
	MGD80SE070B3A	1/2	10 x 10	30 - 60	Med	1125	1085	1050	985	935	865	795
					Med/Low	1110	1055	1000	950	865	815	750
					Low	900	845	790	705	645	590	480
					High	1695	1660	1615	1570	1545	N/A	N/A
	MGD80SE090B4A	3/4	10 x 10	30 - 60	Med/High	1470	1425	1395	1360	1295	1265	1215
					Med	1340	1290	1250	1210	1165	1120	1080
					Med/Low	1280	1225	1185	1145	1085	1040	1000
					Low	1105	1040	1005	945	865	810	755
	MGD80SE110C5A	1	11-1/2 x 10	30 - 60	High	2325	2280	2235	2165	2125	2090	2035
					Med/High	2010	1940	1895	1845	1800	1755	1700
					Med	1760	1705	1635	1595	1545	1510	1460
					Med/Low	1570	1500	1440	1380	1320	1285	1255
	MGD80SE110C5A	1	11-1/2 x 10	30 - 60	Low	1375	1320	1265	1200	1170	1100	1030