



FOOD PROCESSOR

SAFETY INFORMATION 3

PARTS INCLUDED 6

ACCESSORY KIT 8

GETTING STARTED 9

CONTROLS 10

FUNCTIONS 10

CARE AND CLEANING 11

TROUBLESHOOTING 12

LIMITED WARRANTY 15

CONSUMER SUPPORT 16

**OWNER'S
MANUAL**

- G8P0AASSPSS
- G8P1AASSPSS
- G8PKAASSRSS

**ENGLISH/
FRANÇAIS**

Write the model and serial numbers here:

Model # _____

Serial # _____

Find these numbers on a label on the back of the unit.

THANK YOU FOR MAKING GE APPLIANCES A PART OF YOUR HOME.

Whether you grew up with GE Appliances, or this is your first,
we're happy to have you in the family.

We take pride in the craftsmanship, innovation and design that
goes into every GE Appliances product, and we think you will too.
Among other things, registration of your appliance ensures that
we can deliver important product information and warranty details
when you need them.



GE APPLIANCES

IMPORTANT SAFETY INFORMATION READ ALL INSTRUCTIONS BEFORE USING THE APPLIANCE

⚠ WARNING

THE CUTTING TOOLS HAVE VERY SHARP EDGES.

IMPORTANT SAFEGUARDS

Always follow these safety precautions when using this appliance.

Getting Ready

1. Read all instructions.
2. Blade and discs are sharp. Handle them carefully.
3. Turn the appliance OFF, then unplug from the outlet when not in use, before assembling or disassembling parts and before cleaning. To unplug, grasp the plug and pull from the outlet. Never pull from the power cord.
4. Do not use outdoors.
5. Do not let cord hang over edge of table or counter.
6. Do not let cord contact hot surface, including the stove.
7. Do not operate any appliance with a damaged cord or plug or after the appliance malfunctions, or is dropped or damaged in any manner. Contact GE Appliances at the website listed in the Contact Us section for information on examination, repair, or adjustment.

Operation

1. Keep hands as well as spatulas and other utensils away from moving blade or discs while processing food to reduce the risk of severe personal injury or damage to food processor. A plastic scraper may be used, but only when the food processor motor is stopped.
2. Avoid coming into contact with moving parts. Never push food down by hand when slicing or shredding. Always use pusher.
3. Make sure motor has completely stopped before removing cover. (If machine does not stop within 4 seconds after you remove the bowl cover assembly, call 1.866.907.6718 for assistance. Do not use the machine.)
4. Never store any blade or disc on motor shaft. To reduce the risk of injury, no blade or disc should be placed on the shaft except when the bowl is properly locked in place and the processor is in use. Store blades and discs as you would sharp knives, out of reach of children.
5. Be sure cover and feed tube are securely locked in place before operating food processor.
6. Never try to override or tamper with cover interlock mechanism.
7. Do not fill the bowl above the marked maximum fill line (or rated capacity) to avoid risk of injury due to damage to the cover or bowl.”

Cleaning

- To protect against risk of electrical shock, do not put base in water or other liquids.

READ AND SAVE THESE INSTRUCTIONS

IMPORTANT SAFETY INFORMATION READ ALL INSTRUCTIONS BEFORE USING THE APPLIANCE

⚠ WARNING

THE CUTTING TOOLS HAVE VERY SHARP EDGES.

IMPORTANT SAFEGUARDS Continued

General

1. This appliance is not intended for use by persons (including children) with reduced physical, sensory, or mental capabilities, or lack of experience and knowledge, unless they are closely supervised and instructed concerning use of the appliance by a person responsible for their safety. Close supervision is necessary when any appliance is used by or near children. Children should be supervised to ensure that they do not play with the appliance.
2. Do not operate this, or any other motor-driven appliance, while under the influence of alcohol or other substances that affect your reaction time or perception.
3. This food processor is for household use only. Use it only for food preparation as described in the accompanying recipe and instruction book. Do not use this appliance for anything but its intended use.
4. The use of attachments not recommended or sold by the manufacturer may cause fire, electrical shock or personal injury, or damage to your food processor.
5. To avoid possible malfunction of work bowl switch, never store processor with cover assembly in locked position.
6. Maximum rating of 550 watts is based on chopping blade on food processor bowl as a food chopper draws greatest power. Other recommended attachments may draw significantly less power.
7. Do not operate your appliance in an appliance garage or under a wall cabinet. When storing in an appliance garage always unplug the unit from the electrical outlet. Not doing so could create a risk of fire, especially if the appliance touches the walls of the garage or the door touches the unit as it closes.

READ AND SAVE THESE INSTRUCTIONS

IMPORTANT SAFETY INFORMATION READ ALL INSTRUCTIONS BEFORE USING THE APPLIANCE

⚠ WARNING

THE CUTTING TOOLS HAVE VERY SHARP EDGES.

IMPORTANT SAFEGUARDS Continued

Care and Cleaning

- Like all powerful electrical appliances a food processor should be handled with care. Follow these guidelines to protect yourself and your family from misuse that could cause injury.
- Handle and store metal blade and discs carefully. Their cutting edges are very sharp.
- Never put blade or discs on the motor shaft until the work bowl is locked in place.
- Always be sure that the blade or disc is down on the motor shaft as far as it will go.
- Always insert the metal blade in the work bowl before putting ingredients in bowl.
- When slicing or shredding food, always use the pusher. Never put your fingers or spatula into feed tube.
- Always wait for the blade or disc to stop spinning before you remove the pusher assembly or cover from the work bowl.
- Always unplug the unit before removing food, cleaning or putting on or taking off parts.
- Always remove work bowl from base of machine before you remove the chopping/mixing/dough blade.
- Be careful to prevent the chopping blade from falling out of the work bowl when emptying the bowl. Remove it before tilting the work bowl.

NOTICE: This appliance has a plastic case, it has a polarized plug (one blade is wider than the other). To reduce the risk of electric shock, this plug will fit in a polarized outlet only one way. If the plug does not fit fully in the outlet, reverse the plug. If it still does not fit, contact a qualified electrician. Do not attempt to defeat this safety feature or modify the plug in any way.

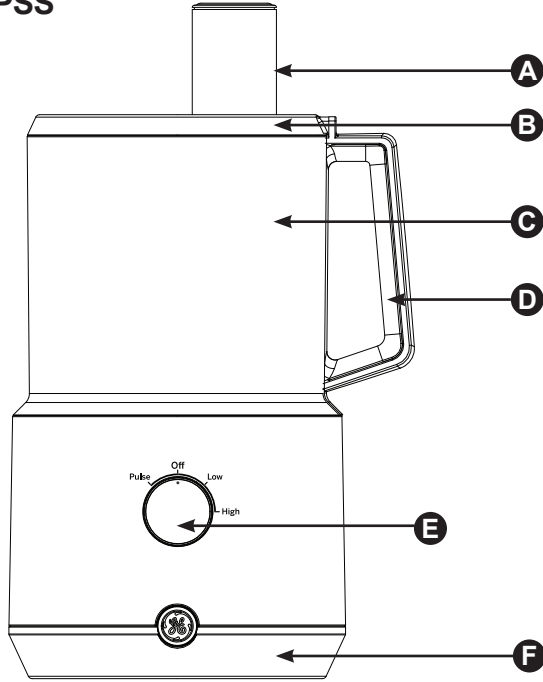
⚠ WARNING**RISK OF FIRE OR ELECTRIC SHOCK**

- TO REDUCE THE RISK OF FIRE OR ELECTRIC SHOCK, DO NOT REMOVE COVER (OR BACK).
- Do not attempt to repair or replace any part of your food processor unless it is specifically recommended in this manual. All other servicing should be performed by authorized service personnel.

READ AND SAVE THESE INSTRUCTIONS

Parts Included

G8P0AASSPSS



A Chute Plunger

B Lid

C Processing Chamber

D Handle

E Control Knob

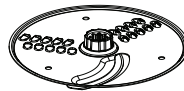
F Base

Accessories

NOTE: Parts listed below are only included with model G8P0AASSPSS



Fine shredding / Slicing disc

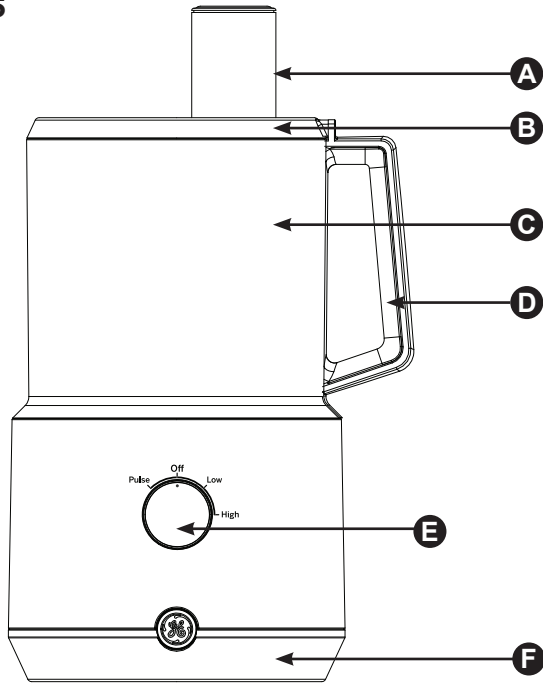


Medium shredding / Slicing disc

Parts Included

PARTS INCLUDED

G8P1AASSPSS



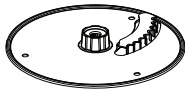
- A** Chute Plunger
- B** Lid
- C** Processing Chamber
- D** Handle
- E** Control Knob
- F** Base

Accessories

NOTE: Parts listed below are only included with model G8P1AASSPSS



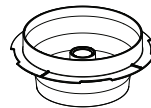
Fine shredding /
Slicing disc



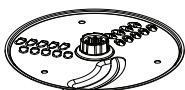
French fry disc



Dough blade



Mini-bowl



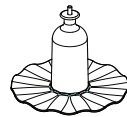
Medium shredding /
Slicing disc



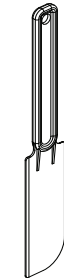
Grating disc



Mini S-blade



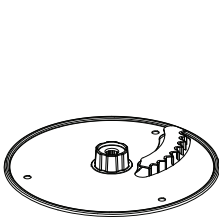
Emulsifying disc



Spatula

Accessory Kit

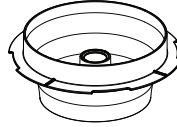
G8PKAASSRSS



French fry disc



Dough blade



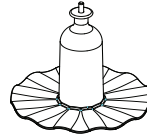
Mini-bowl



Grating disc



Mini S-blade



Emulsifying disc



Spatula

Getting Started

Before First Use

Before using your food processor for the first time, wash the work bowl, work bowl cover, pusher, blade and discs in warm soapy water.

1. Place the food processor base on a dry, level countertop with the controls facing you. Do not plug the unit in until it is fully assembled.
2. With the bowl on the base, use the handle to turn the work bowl clockwise to lock it onto the housing base.

Chopping / Mixing / Dough Blade

1. Place the work bowl on top, with the work bowl handle just to the right of center. Turn the work bowl clockwise to lock it onto the housing base.
2. Carefully lift and place the blade over the work bowl accessory adapter. Blade should rest on the bottom of the work bowl.
3. Plug in the housing base.
4. Add desired ingredients to work bowl.
5. Place work bowl cover on work bowl, with the feed tube just to the right of center. Turn clockwise to lock onto work bowl.
6. Align pusher with the feed tube opening on the work bowl cover and slide down to the bottom.
7. You are now ready to operate the machine.

Slicing, Grating, French fry, and Reversible Shredding Discs

1. Place the work bowl on top of the base, with the work bowl handle just to the right of center. Turn the work bowl clockwise to lock it onto the housing base.
2. Choose desired disc.
3. Insert stem adapter.
4. Carefully place disc over stem adapter, with the side being used facing up.
5. Place work bowl cover onto work bowl, with the feed tube just to the right of center. Turn clockwise to lock onto work bowl.
6. Align pusher with the feed tube opening on the work bowl cover and slide down to the bottom.
7. Plug in the housing base.
8. You are now ready to operate the machine.

Mini Food Bowl

1. Place the work bowl on top of the base, with the work bowl handle just to the right of center. Turn the work bowl clockwise to lock it onto the housing base.
2. Insert stem adapter.
3. Carefully place mini-bowl over the stem adapter and turn until it locks into place.
4. Carefully place the mini s-blade over the stem adapter. Blade should rest on the bottom of the mini-bowl.
5. Add desired ingredients to work bowl.
6. Place work bowl cover on work bowl, with the feed tube just to the right of center. Turn clockwise to lock onto work bowl.
7. Align pusher with the feed tube opening on the work bowl cover and slide down to the bottom.
8. You are now ready to operate the machine.

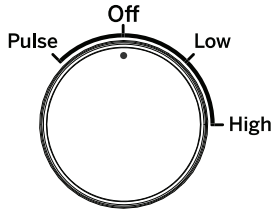
Recipe: Honey with Almond

- 400g honey (direct from fridge)
- 15 sec (high speed)
- 300g almond

Recommended Maximum Work Bowl Capacity

Food	Capacity
Sliced or shredded fruit, vegetable or cheese	10 cups
Chopped fruit, vegetable or cheese	4 cups
Pureed fruit of vegetable	3 cups cooked: 1 ½ cups pureed
Chopped or pureed meat, fish or seafood	1 ½ pounds
Thin liquid (e.g. dressings, soups, ect)	7 cups
Cake batter	8 inch cheesecake batter; 1 box (15.25 oz) cake mix
Cookie dough	2 ½ dozen (based on average chocolate chip cookie recipe)
White bread/pizza dough	2.5 cups (all-purpose or bread flour)
Nuts or nut butter	3 cups

Controls



High and Low Buttons

The High and Low controls are buttons that allow the machine to run until Off is selected.

1. Properly assemble and engage the machine.
2. Add ingredients to the work bowl, either through the feed tube or directly into the bowl.
3. Turn knob to the High or Low setting.
4. Turn knob to upright Off position when finished to turn off the machine.

Pulse Button

The Pulse is a setting that allows the machine to run only while it is being engaged. This capability provides more accurate control of the duration and frequency of processing. Unless otherwise specified, a pulse should be about one second. With the machine properly assembled and engaged, and ingredients in the work bowl, turn the knob to the Pulse setting repeatedly as needed.

Functions

Using the Chopping/Mixing/Dough Blade Chopping

- For raw ingredients: Peel, core and/or remove seeds and pits. Food should be cut into even, ½- to 1-inch pieces. Foods cut into same size pieces produce the most even results.
- Pulse food in 1-second increments to chop. For the finest chop, press High or Low to run the machine continuously. Watch ingredients closely to achieve desired consistency and scrape the work bowl as necessary. Low speed is recommended for making doughs and batters. High speed is recommended for most other chopping, processing and slicing/shredding tasks.

Puréeing

- To purée fresh fruits or cooked fruits/vegetables: Ingredients should be cut into 1-inch pieces; a smooth purée is best achieved when all the pieces are equal in size. Pulse to initially chop and then process High or Low until food is puréed; scrape the work bowl as necessary. Do not use this method to purée cooked white potatoes as the mixture can become too gummy to process.
- To purée solids for a soup or sauce: Strain the solids from the liquid and process the solids alone. Add cooking liquid and process as needed.

Using the Reversible Shredding/Slicing Discs

- The slicing disc makes whole slices. It slices fruits and vegetables, cooked meat and semifrozen raw meat. The shredding disc shreds most firm and hard cheeses. It also shreds vegetables like potatoes, carrots and zucchini.
- Always pack food in the feed tube evenly for slicing and shredding. The food will dictate the amount of pressure: Use light pressure for soft foods, medium pressure for medium foods and firm pressure for harder foods. Always process with even pressure.
- For round fruits or vegetables: Remove a thick slice on the bottom of the food so that it sits upright in the feed tube. If food does not fit in the feed tube, cut in half or quarter to fit. Process with even pressure.
- For small ingredients like mushrooms, radishes or strawberries: Trim the ends so the food sits upright in the feed tube.
- When slicing or shredding cheese, be sure that the cheese is well chilled.
- To shred leafy vegetables like lettuce or spinach: Roll leaves together and stand them up in feed tube. Process with even pressure.

NOTE: Always use the pusher when slicing or shredding. Never put your hands in the feed tube while unit is running.

Care and Cleaning

- Keep the blade and discs out of the reach of children.
- All parts except the housing base are dishwasher safe, and we recommend washing them in the dishwasher on the top rack only. Due to intense water heat, washing the work bowl, cover and accessories on the bottom rack may cause damage over time. Insert the cover with the feed tube facing up to ensure proper cleaning. Insert the work bowl and pusher upside down for drainage. Remember to unload the dishwasher carefully wherever you have placed sharp blades and discs.
- To simplify cleaning, rinse the work bowl, cover, pusher and blade or disc immediately after use so food won't dry on them. Be sure to position the pusher upside down for drainage. If food lodges in the pusher, remove it by running water through it, or use a bottle brush. Be sure to rinse out the underside of the removeable stem to prevent any food lodging there.
- If you wash the blade and discs by hand, do it carefully. Avoid leaving them in soapy water where they may disappear from sight. To clean the metal blade, fill the work bowl with soapy water, hold the blade by its plastic center and move it rapidly up and down on the center shaft of the bowl. Use of a spray attachment is also effective. If necessary, use a brush.
- The work bowl is made of SAN plastic. It should not be placed in a microwave oven.
- The housing base may be wiped clean with a soapy, nonabrasive material. Be sure to dry it thoroughly.
- If the feet leave spots on the counter, spray them with a spot remover and wipe with a damp sponge.
- If any trace of the spot remains, repeat the procedure and wipe the area with a damp sponge and nonabrasive cleaning powder.

IMPORTANT: Never store any blade or disc on the motor shaft. No blade or disc should be placed on the shaft except when the processor is about to be used.

MAINTENANCE: Any other servicing should be performed by an authorized service representative.

⚠ CAUTION FOR YOUR SAFETY

- Like all powerful electrical appliances a food processor should be handled with care. Follow these guidelines to protect yourself and your family from misuse that could cause injury.
- Handle and store metal blade and discs carefully. Their cutting edges are very sharp.
- Never put blade or discs on the motor shaft until the work bowl is locked in place.
- Always be sure that the blade or disc is down on the motor shaft as far as it will go.
- Always insert the metal blade in the work bowl before putting ingredients in bowl.
- When slicing or shredding food, always use the pusher. Never put your fingers or spatula into feed tube.
- Always wait for the blade or disc to stop spinning before you remove the pusher assembly or cover from the work bowl.
- Always unplug the unit before removing food, cleaning or putting on or taking off parts.
- Always remove work bowl from base of machine before you remove the chopping/mixing/dough blade.
- Be careful to prevent the chopping blade from falling out of the work bowl when emptying the bowl. Remove it before tilting the work bowl.

Troubleshooting

Technical Data

The motor in your food processor operates on a standard line operating current. The appropriate voltage and frequency for your machine are shown on a label on the bottom of the base. An automatic, temperature-controlled circuit breaker in the motor ensures complete protection against motor burnout. If the processor runs for an exceptionally long time when chopping, mixing or kneading a thick or heavy mixture in successive batches, the motor may overheat. If this happens, the processor will stop. Turn it off and wait for the motor to cool before proceeding. It will usually cool within 10 minutes. In extreme cases, it could take an hour. Safety switches prevent the machine from operating when the work bowl or the cover is not locked into position. The motor stops within seconds when the motor is turned off; and when the pusher assembly is removed, a fast-stop circuit also enables the motor to stop within seconds.

Troubleshooting

Save time and money! Review the charts on the following pages first and you may not need to call for service.

Problem	Solution
Food Processing	
The food is unevenly processed.	The ingredients should be cut evenly into ½- to 1-inch pieces before processing. Process in batches to avoid overloading.
Slices are uneven or slanted.	Place evenly cut food, cut side down, into the feed tube. Apply even pressure on the pusher.
Food falls over in feed tube.	Feed tube should be packed full for best results.
Some food remains on top of the disc.	It is normal for small pieces to remain; cut remaining bits by hand and add to processed ingredients.
Cheese is not shredding well.	Cheese should be processed immediately after being removed from the refrigerator. Soft cheese like mozzarella must be placed in the freezer for 30 minutes prior to processing to ensure it is firm enough for shredding.
Dough Kneading	
Motor slows down	Amount of dough may exceed maximum capacity of your food processor. Remove half and process in two batches. Dough may be too wet (see number 8). If motor speeds up, continue processing. If not, add more flour, 1 tablespoon at a time, until the motor speeds up. Process until dough cleans the sides of the work bowl.
Blade does not incorporate ingredients.	Always start the food processor before adding liquid. Add liquid in a slow, steady stream, or through the drizzle hole in the pusher, allowing the dry ingredients to absorb it. If too much liquid is added, wait until ingredients in the work bowl have mixed, then add remaining liquid slowly (do not turn off the machine). Pour liquid onto dough as it passes under feed tube opening; do not pour liquid directly onto bottom of the work bowl.
Blade rises in work bowl.	Excessively sticky dough can cause blade to rise. Carefully reinsert blade and immediately add 2 tablespoons of flour through feed tube while machine is running.
Dough doesn't clean inside of the work bowl.	Amount of dough may exceed maximum capacity of your food processor. Remove half and process in two batches. Dough may be too dry. Dough may be too wet.
Nub of dough forms on top of blade and does not become uniformly kneaded.	Stop machine, carefully remove dough, divide it into 3 pieces and redistribute them evenly in the work bowl.
Dough feels tough after kneading.	Divide dough into 2 or 3 pieces and redistribute evenly in bowl. Process 10 seconds or until uniformly soft and pliable.
Dough is too dry.	While machine is running, add water, 1 tablespoon at a time, until dough cleans the inside of the bowl.
Dough is too wet.	While machine is running, add flour, 1 tablespoon at a time, until dough cleans the inside of the bowl.
Technical	
The motor does not start.	There is a safety interlock to prevent the motor from starting if it is not properly assembled. Make sure the work bowl and work bowl cover are securely locked into position. If the motor still will not start, check the power cord and outlet.
The food processor shuts off during operation.	The cover may have become unlocked; check to make sure it is securely in position. A safety protector in the motor prevents the motor from overheating, which is caused by excessive strain. Press the Off control button and wait 20 to 30 minutes to allow the food processor to cool off before resuming.
The motor slowed down during operation.	This is normal as some heavier loads (e.g., slicing/shredding cheese) may require the motor to work harder. Simply reposition the food in the feed tube and try again. The maximum load capacity may have been exceeded. Remove some of the ingredients and continue processing.
The food processor vibrated/moved around countertop during processing.	Make sure the rubber feet at the bottom of the unit are clean and dry. Also make sure that the maximum load capacity is not being exceeded. This is normal as some heavier loads (e.g., slicing/shredding cheese) may require the motor to work harder.

GE Appliances Limited Warranty

LIMITED WARRANTY

If your appliance fails to operate properly while in use under normal household conditions within the warranty period, visit geappliances.com/contact for product care/maintenance self-help.

To initiate a warranty claim, please visit geappliances.com/contact, or call **1-800-GEARES**. Please have your model number and serial number available. Return and packing instruction information will be provided at that time.

For the Period of:	GE Appliances Covers
One Year From the date of the original purchase	If the food processor fails due to a defect in materials or workmanship, during the limited one-year warranty , GE Appliances will either repair your product, replace your product with a new or remanufactured product, or refund the purchase price of the product at GE Appliances sole discretion.

What GE Appliances Will Not Cover:

- Service trips to your home.
- Improper installation, delivery or maintenance.
- Failure of the product if it is abused, misused, or used for other than the intended purpose or used commercially.
- Replacement of house fuses or resetting of circuit breakers.
- Damage caused after delivery.
- Damage to the product caused by accident, fire, floods or acts of God.
- Incidental or consequential damage caused by possible defects with this appliance.
- Labor and other charges to install and/or remove the product

EXCLUSION OF IMPLIED WARRANTIES

Your sole and exclusive remedies are product exchange or refund as provided in this Limited Warranty. Any implied warranties, including the implied warranties of merchantability or fitness for a particular purpose, are limited to one year or the shortest period allowed by law.

For US Customers: This limited warranty is extended to the original purchaser for products purchased for home use within the USA. In Alaska and Hawaii, the limited warranty does not include the costs of shipping units.

Some states do not allow the exclusion or limitation of incidental or consequential damages. This limited warranty gives you specific legal rights, and you may also have other rights which vary from state to state. To know what your legal rights are, consult your local or state consumer affairs office or your state's Attorney General.

Warrantor: GE Appliances, a Haier company
Louisville, KY 40225

For Customers in Canada: This limited warranty is extended to the original purchaser and any succeeding owner for products purchased in Canada for home use within Canada. In-home warrant service will be provided in areas where it is available and deemed reasonable by Mabe to provide. For extended warranty information, visit geappliances.ca/purchase-extended-warranty

Warrantor Canada: MC Commercial, Burlington, Ontario, L7R 5B6

Staple your receipt here. Proof of the original purchase date is needed to obtain service under the warranty.

Consumer Support

Service and Registration

Register your new appliance on-line at your convenience! Timely product registration will allow for enhanced communication and prompt service under the terms of your warranty, should the need arise.

Register your appliance at **GEAppliances.com/register**.

In Canada, service.geappliances.ca/servicio/en_CA/

Contact Us

If you are not satisfied with the service you receive from GE Appliances, contact us on our Website with all the details including your phone number, or write to:

In the US: General Manager, Customer Relations | GE Appliances, Appliance Park |
Louisville, KY 40225

GEAppliances.com/contact

In Canada: Director, Consumer Relations, MC Commercial Inc. | Suite 310, 1 Factory Lane |
Moncton, N.B. E1C 9M3

GEAppliances.ca/en/contact-us



ROBOT CULINAIRE

ROBOT CULINAIRE	3
PIÈCES INCLUSES	6
ACCESSOIRES	8
COMMENT DÉMARRER	9
COMMANDES	10
FONCTIONS	10
ENTRETIEN ET NETTOYAGE	11
DÉPANNAGE	12
GARANTIE LIMITÉE	15
SOUTIEN AU CONSOMMATEUR .	16

MANUEL D'UTILISATION

G8POAASSPSS
G8P1AASSPSS
G8PKAASSRSS

Inscrivez les numéros de modèle et de série ici :
No de modèle _____
No de série _____
Vous trouverez ces numéros sur l'étiquette à l'arrière de l'appareil.

NOUS VOUS REMERCIONS D'INTÉGRER GE APPLIANCES À VOTRE DEMEURE.

Que vous ayez grandi avec des électroménagers GE ou qu'il s'agisse de votre première acquisition, nous sommes heureux de vous accueillir dans notre famille.

Nous sommes fiers du savoir-faire, de l'innovation et du design qui constituent chaque électroménager GE, et nous pensons que vous le serez aussi. Nous vous rappelons que l'enregistrement de votre électroménager vous assure de recevoir des renseignements importants sur le produit et la garantie lorsque vous en avez besoin.



GE APPLIANCES

CONSIGNES DE SÉCURITÉ IMPORTANTES

LISEZ TOUTES LES INSTRUCTIONS AVANT D'UTILISER L'APPAREIL

CONSIGNES DE SÉCURITÉ

AVERTISSEMENT

LES ARÊTES DES OUTILS DE COUPE SONT TRÈS COUPANTS.

MESURES DE SÉCURITÉ IMPORTANTES

Observez toujours les présentes consignes de sécurité lorsque vous utilisez cet électroménager.

Préparation

1. Lisez toutes les instructions.
2. La lame et les disques sont coupants. Manipulez-les avec prudence.
3. Mettez l'appareil hors tension (OFF), puis débranchez-le de la prise électrique lorsqu'il n'est pas utilisé, avant de monter ou démonter les pièces et avant le nettoyage. Pour débrancher l'appareil, agrippez la fiche du cordon et tirez. Ne tirez jamais par le cordon en tant que tel.
4. Ne l'utilisez pas à l'extérieur.
5. Ne laissez pas le cordon pendre par-dessus le bord de la table ou du comptoir.
6. Ne laissez pas le cordon toucher une surface chaude, y compris la cuisinière.
7. N'utilisez pas l'appareil s'il a été échappé, s'il est défectueux ou endommagé d'une manière quelconque, ou encore si le cordon ou la fiche sont endommagés. Contactez le fabricant via le site Web inscrit dans la section Communiquez avec nous pour des renseignements sur l'inspection, la réparation ou le réglage.

Fonctionnement

1. Gardez les mains ainsi que les spatules et autres ustensiles à l'écart des lames ou des disques mobiles pendant le traitement des aliments afin de réduire le risque de blessure grave ou de dommage au robot culinaire. On peut utiliser un racloir en plastique mais seulement lorsque le robot est arrêté.
2. Évitez de toucher aux pièces mobiles. Ne poussez jamais les aliments avec la main lorsque vous tranchez ou râpez. Utilisez toujours le poussoir.
3. Assurez-vous que le moteur s'est complètement arrêté avant de retirer le couvercle. (Si l'appareil ne s'arrête pas en moins de 4 secondes après le retrait du couvercle du bol, composez le 1.866.907.6718 pour de l'assistance. N'utilisez pas l'appareil.)
4. Ne rangez jamais une lame ou un disque quelconque sur l'arbre du moteur. Pour réduire le risque de blessure, aucune lame ni disque ne doit être placé sur l'arbre, sauf si le bol est correctement verrouillé en place et que le robot est utilisé. Rangez les lames et les disques comme vous le feriez pour les couteaux coupants, hors de portée des enfants.
5. Assurez-vous que le couvercle et le tube d'alimentation sont bien verrouillés en place avant de démarrer le robot culinaire.
6. Ne tentez jamais de contourner ou de modifier le mécanisme de verrouillage du couvercle.
7. Ne remplissez pas le bol au-dessus de la marque de ligne de remplissage maximale (ou capacité nominale) afin de prévenir le risque de blessure suivant l'endommagement du couvercle ou du bol.

Nettoyage

- Pour réduire le risque de choc électrique, ne placez pas la base dans l'eau ou un autre liquide quelconque.

LISEZ ET CONSERVEZ CES INSTRUCTIONS

CONSIGNES DE SÉCURITÉ IMPORTANTES

LISEZ TOUTES LES INSTRUCTIONS AVANT D'UTILISER L'APPAREIL

▲ AVERTISSEMENT

LES ARÊTES DES OUTILS DE COUPE SONT TRÈS COUPANTS.

MESURES DE SÉCURITÉ IMPORTANTES

Généralités

1. Cet appareil n'est pas destiné à être utilisé par des personnes (y compris les enfants) dont les capacités physiques, sensorielles ou mentales sont réduites ou l'expérience et les connaissances insuffisantes, sauf si elles sont étroitement surveillées et instruites sur l'utilisation de l'appareil par une personne responsable de leur sécurité. Une surveillance étroite est requise lorsque cet appareil est utilisé par des enfants ou à proximité de ceux-ci. Les enfants doivent être surveillés afin de s'assurer qu'ils ne jouent pas avec l'appareil.
2. N'utilisez pas cet appareil ni aucune autre appareil motorisé, si vous êtes sous l'influence de l'alcool ou d'autres substances qui affectent votre temps de réaction ou votre perception.
3. Ce robot culinaire est destiné à un usage domestique seulement. Utilisez-le seulement pour la préparation des aliments selon les descriptions des recettes et des instructions de ce manuel. N'utilisez pas cet appareil à d'autres fins que celle prévue.
4. L'utilisation d'accessoires qui ne sont pas recommandés ou vendus par le fabricant peut présenter un risque d'incendie, de choc électrique, de blessure ou d'endommagement de votre robot culinaire.
5. Afin de prévenir un mauvais fonctionnement du commutateur du bol de préparation, ne rangez jamais le robot avec le couvercle dans la position verrouillée.
6. La puissance nominale maximale de 550 watts est basée sur l'utilisation de la lame à hacher dans le bol du robot culinaire étant donné que cette activité est la plus gourmande en énergie. Les autres accessoires recommandés peuvent prélever beaucoup moins de puissance.
7. Ne faites pas fonctionner votre robot dans un garage ou sous une armoire murale. Si l'appareil est rangé dans un garage, débranchez-le toujours de la prise électrique. Ne pas le faire pose un risque d'incendie, en particulier si l'appareil touche un mur du garage ou si la porte touche à l'appareil en fermant.

LISEZ ET CONSERVEZ CES INSTRUCTIONS

CONSIGNES DE SÉCURITÉ IMPORTANTES

LISEZ TOUTES LES INSTRUCTIONS AVANT D'UTILISER L'APPAREIL

CONSIGNES DE SÉCURITÉ

▲ AVERTISSEMENT

LES ARÊTES DES OUTILS DE COUPE SONT TRÈS COUPANTS.

MESURES DE SÉCURITÉ IMPORTANTES

Entretien et nettoyage

- Comme tous les appareils électriques puissants, un robot culinaire doit être manipulé avec précaution. Suivez ces directives afin de protéger votre famille et vous-même contre une mauvaise utilisation pouvant causer des blessures.
- Manipulez et rangez les lames et les disques métalliques avec prudence. Leurs arêtes sont très coupantes.
- Ne placez jamais une lame ou un disque sur l'arbre du moteur sans que le bol de préparation ne soit verrouillé en place.
- Assurez-vous de toujours baisser la lame ou le disque aussi bas que possible sur l'arbre du moteur.
- Insérez toujours la lame métallique dans le bol de préparation avant de mettre les ingrédients dans le bol.
- Lorsque vous tranchez ou râpez, utilisez toujours le poussoir. Ne placez jamais vos doigts ou une spatule dans le tube d'alimentation.
- Attendez toujours que la lame ou le disque ait cessé de tourner avant de retirer le poussoir ou le couvercle du bol de préparation.
- Débranchez toujours l'appareil avant de retirer les aliments, d'insérer ou retirer des pièces, ou de nettoyer celles-ci.
- Retirez toujours le bol de préparation de la base de l'appareil avant de retirer la lame à hacher/mélanger/à pétrir.
- Veillez à empêcher la lame à hacher de tomber du bol de préparation au moment de vider ce dernier. Retirez-la avant de pencher le bol.

AVIS: Cet appareil est doté d'un boîtier en plastique et d'une fiche polarisée (une lame de fiche plus large que l'autre). Afin de réduire les risques d'électrocution, cette fiche est conçue pour s'introduire dans une prise polarisée dans un sens seulement. Placez la fiche dans l'autre sens si elle refuse de s'introduire à fond dans la prise. S'il vous est toujours impossible d'insérer la fiche, contactez un électricien qualifié. Ne tentez pas de contourner cette consigne de sécurité ni de modifier la fiche d'une façon quelconque.

▲ AVERTISSEMENT



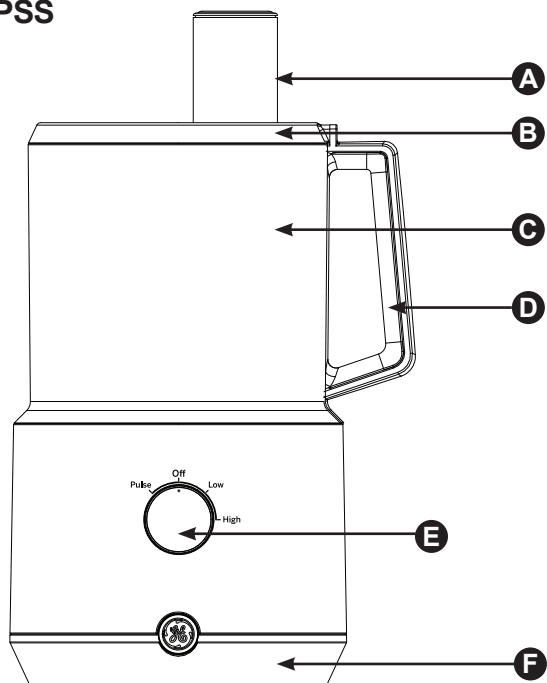
RISQUE D'INCENDIE OU DE CHOC ÉLECTRIQUE

- **POUR RÉDUIRE LE RISQUE D'INCENDIE OU DE CHOC ÉLECTRIQUE, NE RETIREZ PAS LE COUVERCLE**
- **Ne tentez pas de réparer ou de remplacer une pièce quelconque du robot culinaire, sauf si cela est recommandé dans ce manuel. Toute réparation doit être effectuée par un technicien en réparation autorisé.**

LISEZ ET CONSERVEZ CES INSTRUCTIONS

Pièces Incluses

G8P0AASSPSS



A Tube d'alimentation

B Couvercle

C Bol de préparation

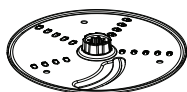
D Poignée

E Bouton de commande

F Base

Accessoires

REMARQUE : Les pièces illustrées ci-dessous sont incluses avec le modèle G8P0AASSPSS seulement.



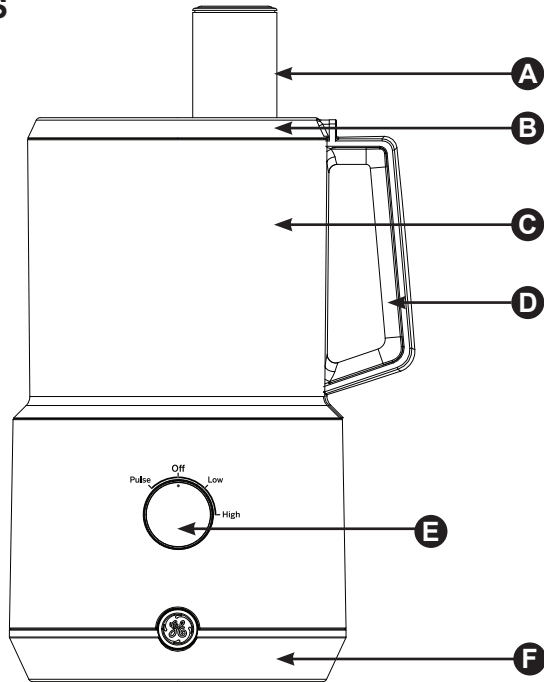
Disque déchiqueteur fin / éminceur



Disque déchiqueteur moyen / éminceur

Pièces Incluses

G8P1AASSPSS



PIÈCES INCLUSES

- A** Tube d'alimentation
- B** Couvercle
- C** Bol de préparation

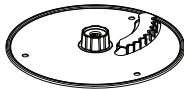
- D** Poignée
- E** Bouton de commande
- F** Base

Accessoires

REMARQUE : Les pièces illustrées ci-dessous sont incluses avec le modèle G8P1AASSPSS seulement.



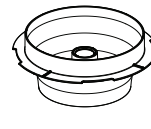
Disque déchiqueteur fin / éminceur



Disque à frites



Lame à pâte



Mini-bol



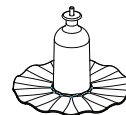
Disque déchiqueteur moyen / éminceur



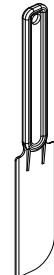
Disque râpeur



Mini-lame en S



Disque émulsifiant



Spatule

Accessoires

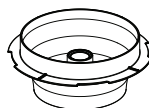
G8PKAASSRSS



Disque à frites



Lame à pâte



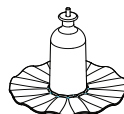
Mini-bol



Disque râpeur



Mini-lame en S



Disque émulsifiant



Spatule

Comment démarrer

Avant la première utilisation

Avant d'utiliser votre robot culinaire pour la première fois, lavez le bol de préparation, le couvercle du bol, le poussoir, la lame et les disques dans une solution d'eau chaude savonneuse.

1. Placez la base du robot culinaire sur un comptoir sec et de niveau avec le bouton de commande vous faisant face. Ne branchez pas l'appareil avant qu'il ne soit complètement assemblé.
2. Avec le bol sur la base, utilisez la poignée pour tourner le bol dans le sens des aiguilles d'une montre afin de le verrouiller sur la base.

Lame à hacher / mélanger / pétrir

1. Placez le bol de préparation sur le dessus, avec la poignée du bol juste à droite du centre. Tournez le bol dans le sens des aiguilles pour le verrouiller sur la base.
2. Prenez la lame avec précaution et placez-la sur l'adaptateur d'accessoire du bol de préparation. La lame doit reposer dans le bas du bol.
3. Branchez la base.
4. Ajoutez les ingrédients désirés dans le bol de préparation.
5. Placez le couvercle sur le bol avec le tube d'alimentation juste à droite du centre. Tournez le couvercle dans le sens des aiguilles pour le verrouiller sur le bol.
6. Alignez le poussoir sur l'orifice du tube d'alimentation du couvercle et glissez-le vers le bas.
7. Vous êtes maintenant prêt à faire fonctionner l'appareil.

Disque à trancher et disques à râper réversibles

1. Placez le bol de préparation sur le dessus de la base, avec la poignée du bol juste à droite du centre. Tournez le bol dans le sens des aiguilles pour le verrouiller sur la base.
2. Choisissez le disque qui convient.
3. Insérez l'adaptateur pour tige.
4. Placez le disque avec soin sur l'adaptateur avec côté à utiliser vers le haut.
5. Placez le couvercle sur le bol avec le tube d'alimentation juste à droite du centre. Tournez le couvercle dans le sens des aiguilles pour le verrouiller sur le bol.
6. Alignez le poussoir sur l'orifice du tube d'alimentation du couvercle et glissez-le vers le bas.
7. Branchez la base.
8. Vous êtes maintenant prêt à faire fonctionner l'appareil.

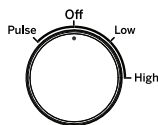
Recette: miel aux amandes

- 400g miel
- 300g amandes
- 15 sec (haute vitesse)

Capacité maximale recommandée pour le bol de préparation

Aliment	Capacity
Fruit, légume ou fromage tranchés ou râpés	10 tasses
Fruit, légume ou fromage hachés	4 tasses
Fruit ou légume en purée	3 tasses, cuits : 1 ½ tasse, en purée
Viande, poisson ou fruit de mer hachés ou en purée	680 grammes (1,5 lb)
Liquide fluide (p.ex. sauces, soupes, etc.)	7 tasses
Pâte à gâteau	Pâte à gâteau au fromage de 20 cm (8 po), 1 boîte (15,25 oz) de mélange à gâteau
Pâte à biscuits	30 biscuits (moyenne des recettes de biscuits aux brisures de chocolat)
Pâte à pain blanc/pizza	2,5 tasses (farine tout usage ou à pain)
Noix ou beurre de noix	3 tasses

Commandes



Boutons de haute et basse vitesses

Les commandes High et Low permettent à l'appareil de fonctionner jusqu'à la sélection de Off (arrêt).

1. Assemblez correctement l'appareil.
2. Ajoutez les ingrédients dans le bol de préparation, soit par le tube d'alimentation, soit directement.
3. Tournez le bouton de commande à High ou Low.
4. Tournez le bouton à la position centrale Off pour arrêter l'appareil lorsque vous avez terminé.

Commande Pulse (fonctionnement intermittent)

Cette commande permet à l'appareil de fonctionner seulement lorsque le bouton est enfoncé. Cette possibilité procure un contrôle plus précis de la durée et de la fréquence du traitement. À moins de mention contraire, une pression intermittente dure environ une seconde. Une fois l'appareil correctement assemblé et les ingrédients dans le bol de préparation, tournez le bouton jusqu'à la commande Pulse en la répétant selon le besoin.

Fonctions

Utilisation de la lame à hacher/mélanger/pétrir hacher

- Pour les ingrédients crus : Pour peler, enlever le cœur et/ou retirer les graines et les noyaux. L'aliment doit être coupé en morceaux uniformes de 1,3 à 2,5 cm (0,5 à 1 po). Les aliments coupés en morceaux de même taille produisent les résultats les plus constants.
- Traitez les aliments par intermittences de 1 seconde pour hacher. Pour un hachage plus fin, pressez High ou Low pour un fonctionnement continu. Surveillez les aliments de près pour atteindre la consistance désirée et raclez le bol de préparation au besoin. La basse vitesse est recommandée pour les pâtes (pain, gâteau, etc.). La haute vitesse est recommandée pour la plupart des autres tâches : hacher, mélanger, trancher, râper.

Réduire en purée

- Pour réduire en purée les fruits frais ou les fruits et légumes cuits : Les ingrédients doivent être coupés en morceaux de 2,5 cm (1 po); des morceaux de même taille permettent d'obtenir une purée plus onctueuse. Commencez à hacher par intermittence puis en continu à High ou Low jusqu'à réduire en purée; raclez le bol de préparation au besoin. N'utilisez pas cette méthode pour réduire en purée les pommes de terre blanches cuites car le mélange peut devenir trop collant pour le traitement.
- Réduire en purée pour une soupe ou une sauce : Retirez les solides du liquide et traitez seulement les solides. Ajouter le liquide de cuisson et traitez selon le besoin.

Utilisation des disques à râper/trancher réversibles

- Le disque à trancher produit des tranches entières. Il tranche les fruits et les légumes, la viande cuite et la viande crue semi-congelée. Le disque à râper râpe la plupart des fromages fermes et durs. Il râpe aussi des légumes tels que pommes de terre, carottes et courgettes.
- Insérez toujours les aliments uniformément par le tube d'alimentation pour les trancher ou râper. La nature des aliments va dicter la pression à appliquer : Appliquez une légère pression pour les aliments mous, une pression moyenne pour les aliments modérément durs et une pression ferme pour les aliments plus durs. Appliquez toujours une pression régulière.
- Fruits ou légumes ronds : Coupez une tranche épaisse dans le bas de l'aliment pour qu'il se place à l'endroit dans le tube d'alimentation. Si l'aliment ne rentre pas dans le tube, coupez-le en deux ou en quatre. Appliquez une pression régulière.
- Petits aliments tels que champignons, radis ou fraises : Coupez les extrémités pour qu'ils rentrent à l'endroit dans le tube d'alimentation.
- Lorsque vous tranchez ou râpez du fromage, assurez-vous que celui-ci a bien refroidi.
- Pour râper les légumes en feuilles tels que laitue ou épinard : Enroulez les feuilles ensemble et introduisez-les verticalement dans le tube. Appliquez une pression régulière.

REMARQUE : Utilisez toujours le poussoir pour trancher ou râper. Ne mettez jamais vos mains dans le tube d'alimentation pendant que l'appareil fonctionne.

Entretien et nettoyage

- Gardez la lame et les disques hors de portée des enfants.
- Toutes les pièces à l'exception de la base vont au lave-vaisselle et nous recommandons de les laver dans le panier supérieur du lave-vaisselle seulement. En raison de la température élevée de l'eau, laver le bol de préparation, le couvercle et les accessoires dans le panier inférieur peut les endommager avec le temps. Placez le couvercle avec le tube d'alimentation orienté vers le haut pour assurer un nettoyage adéquat. Placez le bol de préparation et le poussoir à l'envers pour l'égouttement. Rappelez-vous de vider le lave-vaisselle avec précaution lorsque vous y avez placé des lames et des disques coupants.
- Pour simplifier le nettoyage, rincez le bol de préparation, le couvercle, le poussoir et la lame ou le disque immédiatement après l'utilisation afin d'empêcher les aliments de sécher sur leurs surfaces. Assurez-vous de placer le poussoir à l'envers pour l'égouttement. Si un aliment se loge dans le poussoir, rincez celui-ci sous un jet d'eau ou utilisez une brosse à bouteille. Assurez-vous de bien rincer le dessous de la tige amovible pour éviter qu'un aliment se loge à cet endroit.
- Si vous lavez la lame et les disques à la main, faites-le avec précaution. Évitez de les laisser dans l'eau savonneuse où ils pourraient passer inaperçus. Pour nettoyer la lame métallique, remplissez le bol de préparation avec de l'eau savonneuse, tenez la lame par son centre en plastique et bougez-la rapidement de haut en bas sur l'arbre central du bol. L'utilisation d'un vaporisateur est également efficace. Si nécessaire, utilisez une brosse.
- Le bol de préparation est fait de plastique styrène/acrylonitrile (SAN). Il ne doit pas être placé dans un four à micro-ondes.
- On peut nettoyer la base en l'essuyant avec un linge imbibé d'un produit savonneux non abrasif. Assurez-vous de sécher la base à fond.

Si les pieds laissent des traces sur le comptoir, faites-les disparaître à l'aide d'un détachant en aérosol et essuyez avec une éponge humide.

- Si des traces subsistent, répétez la procédure et essuyez la zone avec une éponge humide et un nettoyant en poudre non abrasif.

IMPORTANT : Ne rangez jamais une lame ou un disque quelconque sur l'arbre du moteur. Aucune lame ou disque ne doivent être placés sur l'arbre sauf si le robot culinaire est sur le point d'être utilisé.

ENTRETIEN : Toute réparation doit être effectuée par un technicien en réparation autorisé.

⚠ ATTENTION POUR VOTRE

SÉCURITÉ

- Comme tous les appareils électriques puissants, un robot culinaire doit être manipulé avec précaution. Suivez ces directives afin de protéger votre famille et vous-même contre une mauvaise utilisation pouvant causer des blessures.
- Manipulez et rangez les lames et les disques métalliques avec prudence. Leurs arêtes sont très coupantes.
- Ne placez jamais une lame ou un disque sur l'arbre du moteur sans que le bol de préparation ne soit verrouillé en place.
- Assurez-vous de toujours baisser la lame ou le disque aussi bas que possible sur l'arbre du moteur.
- Insérez toujours la lame métallique dans le bol de préparation avant de mettre les ingrédients dans le bol.
- Lors du tranchage ou du déchiquetage, utilisez toujours le poussoir. Ne placez jamais vos doigts ou une spatule dans le tube d'alimentation.
- Attendez toujours que la lame ou le disque ait cessé de tourner avant de retirer le poussoir ou le couvercle du bol de préparation.
- Débranchez toujours l'appareil avant de retirer les aliments, d'insérer ou retirer des pièces, ou de nettoyer celles-ci.
- Retirez toujours le bol de préparation de la base de l'appareil avant de retirer la lame à hacher/mélanger/à pétrir.
- Veillez à empêcher la lame à hacher de tomber du bol de préparation au moment de vider ce dernier. Retirez-la avant de pencher le bol.

Dépannage

Données techniques

Le moteur de votre robot culinaire fonctionne avec un courant de fonctionnement de ligne standard. La tension et la fréquence appropriées pour votre appareil sont affichées sur une étiquette dans la partie inférieure de la base. Un disjoncteur à commande de température automatique dans le moteur assure une protection complète contre l'épuisement du moteur. Le moteur peut surchauffer si le robot fonctionne durant une très longue période pour hacher, mélanger ou pétrir un mélange épais ou massif en lots successifs. Si cela survient, le robot s'arrêtera. Mettez-le en arrêt et attendez que le moteur refroidisse avant de continuer. Il refroidit habituellement en moins de 10 minutes.

Dans les cas extrêmes, cela pourrait prendre jusqu'à une heure. Des interrupteurs de sécurité empêchent l'appareil de fonctionner lorsque le bol de préparation ou le couvercle ne sont pas verrouillés en place. Le moteur s'arrête en quelques secondes lorsqu'il est mis en arrêt; lorsque le poussoir est retiré, un circuit d'arrêt rapide permet au moteur de s'arrêter en quelques secondes.

Dépannage

Gagnez du temps et économisez de l'argent! Examinez d'abord les tableaux des pages suivantes, vous pourriez vous éviter un appel de service.

Problème	Solution
Les aliments ne sont pas traités uniformément.	Les aliments doivent être coupés en morceaux uniformes de 1,3 à 2,5 cm (0,5 à 1 po) avant le traitement. Traitez les aliments en lots pour éviter la surcharge.
Les tranches sont irrégulières ou coupées en angle.	Placez les aliments, coupés uniformément et côté coupé vers le bas, dans le tube d'alimentation. Appliquez une pression régulière sur le poussoir.
Les aliments tombent dans le tube d'alimentation.	Le tube d'alimentation doit être bien rempli pour les meilleurs résultats.
Certains aliments restent sur le dessus du disque.	Cela est normal; coupez les petits morceaux à la main et ajoutez-les aux ingrédients traités.
Le fromage n'est pas bien râpé	Le fromage doit être traité immédiatement après sa sortie du réfrigérateur. Le fromage mou tel que le mozzarella doit être placé au congélateur durant 30 minutes afin qu'il soit suffisamment ferme pour le râper.
Le moteur ralentit	La quantité de pâte peut excéder la capacité maximale de votre robot culinaire. Retirez-en la moitié et traitez en deux lots. La pâte est peut-être trop mouillée (voir numéro 8). Si le moteur s'accélère, continuez le traitement. Sinon, ajoutez de la farine, 1 cuillerée à table à la fois, jusqu'à ce que le moteur s'accélère. Traitez jusqu'à ce que la pâte nettoie les parois du bol de préparation.
La lame n'incorpore pas les ingrédients.	Démarrez toujours le robot culinaire avant d'ajouter du liquide. Ajoutez le liquide en le versant lentement et régulièrement, ou à travers le trou d'égouttement dans le poussoir, pour permettre aux ingrédients secs de l'absorber. Si trop de liquide a été ajouté, attendez que les ingrédients dans le bol soient mélangés, puis ajoutez le reste du liquide lentement (n'arrêtez pas l'appareil). Versez le liquide sur la pâte au moment où elle passe sous le tube d'alimentation; ne versez pas le liquide directement sur le fond du bol.
La lame se soulève dans le bol de préparation.	Une pâte trop collante peut causer ce soulèvement. Réinsérez la lame avec précaution et ajoutez immédiatement 2 cuillerées à table de farine à travers le tube d'alimentation pendant que l'appareil fonctionne.
La pâte ne se nettoie pas à l'intérieur du bol.	La quantité de pâte peut excéder la capacité maximale de votre robot culinaire. Retirez-en la moitié et traitez en deux lots. La pâte peut être trop sèche. La pâte peut être trop mouillée.
De petits amas de pâte se forment sur le dessus de la lame et ne sont pas pétris uniformément.	Arrêtez l'appareil, retirez la pâte avec soin, divisez-la en 3 parties et redistribuez celles-ci uniformément dans le bol.
La pâte est dure après le pétrissage.	Divisez la pâte en 2 ou 3 parties et redistribuez celles-ci uniformément dans le bol. Traitez la pâte durant 10 secondes ou jusqu'à ce qu'elle soit uniforme et malléable.
La pâte est trop sèche.	Pendant que l'appareil fonctionne, ajoutez 1 cuillerée à table d'eau à la fois, jusqu'à ce que la pâte nettoie l'intérieur du bol de préparation.
La pâte est trop mouillée.	Pendant que l'appareil fonctionne, ajoutez 1 cuillerée à table de farine à la fois, jusqu'à ce que la pâte nettoie l'intérieur du bol de préparation.
Le moteur ne démarre pas.	Un verrouillage de sécurité empêche le moteur de démarrer s'il n'est pas assemblé correctement. Assurez-vous que le bol de préparation et son couvercle sont fermement verrouillés en place. Si le moteur ne démarre toujours pas, vérifiez le cordon et la prise électriques.
Le robot culinaire s'arrête pendant le fonctionnement.	Le couvercle s'est peut-être déverrouillé; assurez-vous qu'il est verrouillé solidement. Un dispositif de protection dans le moteur prévient la surchauffe du moteur, laquelle résulte d'un effort excessif. Pressez le bouton Off (arrêt) et attendez 20 à 30 minutes pour laisser le robot se refroidir avant de continuer.
Le moteur ralentit pendant le fonctionnement.	Cela est normal car des charges plus importantes (p.ex. trancher ou râper du fromage) peuvent exiger davantage du moteur. Réintroduisez simplement les aliments dans le tube d'alimentation et essayez à nouveau. La capacité de charge maximale a peut-être été dépassée. Retirez une certaine quantité d'aliment et poursuivez le traitement.
Le robot culinaire vibre ou se déplace sur le comptoir pendant le traitement.	Assurez-vous que les pieds en caoutchouc dans le bas de l'appareil sont propres et secs. Assurez-vous aussi que la capacité de charge maximale n'a pas été dépassée. Cela est normal car des charges plus importantes (p.ex. trancher ou râper du fromage) peuvent exiger davantage du moteur.

NOTES

Notes

Garantie limitée de GE Appliances

GARANTIE LIMITÉE

GEAppliances.com

Si votre appareil ne fonctionne pas correctement pendant son utilisation dans des conditions domestiques normales pendant la période de garantie, visitez geappliances.com/contact pour une assistance / entretien du produit.

Pour lancer une réclamation au titre de la garantie, veuillez visiter geappliances.com/contact ou appeler le 1-800-GECARES. Veuillez avoir votre numéro de modèle et votre numéro de série à portée de main. Les informations relatives au retour et aux instructions d'emballage seront fournies à ce moment

Durant la période de:	GE Appliances appliquera la garantie suivante
Un (1) an À partir de la date d'achat initial	Si le robot culinaire présente une défaillance en raison de vices de matière ou de fabrication pendant la garantie limitée de un (1) an, GE Appliances procédera, à sa seule discrétion, au remplacement de votre produit par un neuf, à sa remise à neuf, ou encore au remboursement de son prix d'achat.
Ce que GE Appliances ne garantie pas :	

- Les déplacements de service à votre domicile.
- Une installation, une livraison ou un entretien inadéquats.
- La défaillance du produit en raison d'un usage abusif, d'une mauvaise utilisation, ou s'il est utilisé à des fins commerciales ou autres que celles prévues.
- Le remplacement des fusibles du domicile ou le réarmement des disjoncteurs.
- Les dommages survenus après la livraison.
- Le remplacement des ampoules, si elles sont incluses.
- Tout dommage occasionné par un accident, un incendie, une inondation ou une autre catastrophe naturelle.
 - Les dommages accessoires ou indirects causés par d'éventuelles déficiences de cet électroménager.
- Les frais de main-d'œuvre ou les autres frais encourus pour l'installation et/ou le retrait du produit.

EXCLUSION DES GARANTIES IMPLICITES

Votre seul recours exclusif consiste en l'échange du produit ou son remboursement en vertu de cette garantie limitée. Toute garantie implicite, y compris les garanties implicites relatives à la qualité marchande ou à l'adéquation à un usage particulier, se limitera à une période de un (1) an ou à la période la plus courte prescrite par la loi.

Pour la vente dans les 50 États et le district de Columbia des États-Unis seulement : Clients des États-Unis : Cette garantie limitée est étendue à l'acheteur d'origine pour les produits achetés relativement à une utilisation domestique à l'intérieur des États-Unis. En Alaska et à Hawaii, la garantie limitée n'inclut pas les coûts relatifs à l'expédition des appareils. Certains États ou provinces ne permettent pas l'exclusion ou la restriction des dommages accessoires ou indirects. Certains droits particuliers vous sont dévolus en vertu de la présente garantie et peuvent s'accompagner d'autres droits qui varient selon votre lieu de résidence. Pour connaître la nature exacte de vos droits, consultez l'organisme de protection du consommateur de votre région, ou encore le bureau du procureur général de l'État.

**Garant : GE Appliances, une compagnie Haier
Louisville, KY 40225**

Pour les clients au Canada: Cette garantie limitée est étendue à l'acheteur original et à tout propriétaire suivant pour les produits achetés au Canada pour un usage domestique au Canada. Le service de mandat à domicile sera fourni dans les zones où il est disponible et jugé raisonnable par Mabe. Pour plus d'informations sur la garantie prolongée, visitez geappliances.ca/purchase-extended-warranty

Garant Canada: MC Commercial, Burlington, Ontario, L7R 5B6

Brochez votre reçu ici. Pour obtenir le service sous garantie, vous devrez fournir la preuve de l'achat original.

Soutien au consommateur

Service et enregistrement

Enregistrez votre nouvel électroménager en ligne à votre convenance! L'enregistrement de votre produit dans les plus brefs délais permet une meilleure communication et un service rapide en vertu de votre garantie, le cas échéant.

Enregistrez votre électroménager sur GEAppliances.com/register.

Au Canada, service.geappliances.ca/servicio/fr_CA/

Communiquez avec nous

Si vous n'êtes pas satisfait du service reçu de GE Appliances, contactez-nous via notre site Web avec tous les détails, y compris votre numéro de téléphone, ou encore écrivez à :

Aux États-Unis : General Manager, Customer Relations | GE Appliances, Appliance Park | Louisville, KY 40225 GEAppliances.com/contact

Au Canada : Directeur, Relations avec le consommateur, MC Commercial Inc. | Suite 310, 1 Factory Lane | Moncton, N.B. E1C 9M3 GEAppliances.ca/en/contact-us



PROCESADORA DE ALIMENTOS

INFORMACIÓN DE SEGURIDAD . . .3

PIEZAS INCLUIDAS 6

ACCESORIOS. 8

PUESTA EN MARCHA 9

CONTROLES10

FUNCIONES10

CUIDADO Y LIMPIEZA11

SOLUCIÓN DE PROBLEMAS12

GARANTÍA LIMITADA15

SOPORTE AL CONSUMIDOR 16

MANUAL DEL PROPIETARIO

- G8POAASSPSS
- G8P1AASSPSS
- G8PKAASSRSS

ESPAÑOL

Escriba los números de modelo y de serie aquí:

Nº de Modelo _____

Nº de Serie _____

Estos números se encuentran en una etiqueta en la parte trasera de la unidad.

GRACIAS POR HACER A GE APPLIANCES PARTE DE SU HOGAR

Ya sea que haya crecido con GE Appliances, o que ésta sea su primera vez, estamos felices de tenerlo en la familia.

Sentimos orgullo por la creación, innovación y diseño de cada producto de GE Appliances, y creemos que usted también. Entre otras cosas, el registro de su electrodoméstico nos asegura que podamos entregarle información importante del producto y detalles de la garantía cuando los necesite.



GE APPLIANCES

INFORMACIÓN IMPORTANTE DE SEGURIDAD

LEA TODAS LAS INSTRUCCIONES ANTES DE USAR ESTE ELECTRODOMÉSTICO

INFORMACIÓN DE SEGURIDAD

⚠️ ADVERTENCIA

LAS HERRAMIENTAS DE CORTE POSEEN EXTREMOS MUY FILOSOS.

MEDIDAS DE PROTECCIÓN IMPORTANTES

Siempre cumpla con estas precauciones de seguridad al usar este electrodoméstico.

Preparación

1. Lea todas las instrucciones.
2. La cuchilla y los discos son filosos. Manipule los mismos con cuidado.
3. Coloque el electrodoméstico en OFF (Apagado), luego desenchufe el mismo del tomacorriente cuando no se encuentre en uso, antes de ensamblar o desensamblar piezas y antes de su limpieza. Para desenchufar, tome el enchufe y presione el mismo fuera del tomacorriente. Nunca empuje desde el cable de corriente.
4. No lo use en áreas exteriores.
5. No permita que el cable de corriente cuelgue del extremo de la mesa o mesada.
6. No permita que el cable tenga contacto con superficies calientes, incluyendo cocinas.
7. No utilice ningún electrodoméstico con un cable o enchufe dañado o luego de que el electrodoméstico haya tenido una falla, o se haya caído o dañado de cualquier manera. Comuníquese con el fabricante a través del sitio Web que figura en la sección Contact Us (Comuníquese con Nosotros) para acceder a información sobre pruebas, reparaciones o ajustes.

Funcionamiento

1. Mantenga las manos como también las espátulas y otros utensilios alejados de la cuchilla o discos de movimiento mientras procesa comida, a fin de reducir el riesgo de lesiones personales graves o daños sobre la procesadora de alimentos. Se podrá usar una espátula plástica, pero sólo cuando el motor de la procesadora de alimentos se haya detenido.
2. Evite el contacto con las partes de movimiento. Nunca presione hacia abajo la comida con las manos al rebanar o triturar. Siempre use el dispositivo para empujar.
3. Asegúrese de que el motor se haya detenido completamente antes de retirar la tapa. (Si el motor no se detiene dentro de los 4 segundos luego de retirar la junta de la tapa del recipiente, llame al 1.866.907.6718 para solicitar asistencia. No use la máquina).
4. Nunca guarde una cuchilla o disco en el eje del motor. A fin de reducir el riesgo de lesiones no se deberán colocar cuchillas o discos en el eje, excepto cuando el recipiente esté correctamente bloqueado en su posición y la procesadora esté en uso. Guarde las cuchillas y discos como guardaría cuchillos filosos, fuera del alcance de los niños.
5. Asegúrese de que la tapa y el tubo de alimentación estén bloqueados de forma segura antes de utilizar la procesadora de alimentos.
6. Nunca intente desactivar o manipular el mecanismo de bloqueo de la tapa.
7. No llene el recipiente por encima de la línea de llenado máximo marcada (o capacidad máxima), a fin de evitar riesgos de lesiones debido a daños sobre la tapa o recipiente.

Limpieza

- Como protección contra riesgos de descarga eléctrica, no coloque la base en el agua u otros líquidos.

LEA Y GUARDE ESTAS INSTRUCCIONES

INFORMACIÓN IMPORTANTE DE SEGURIDAD

LEA TODAS LAS INSTRUCCIONES ANTES DE USAR ESTE ELECTRODOMÉSTICO

General

1. Este electrodoméstico no deberá ser usado por personas (incluyendo niños) con capacidades físicas, sensoriales o mentales reducidas o con falta de experiencia y conocimiento, a menos que cuenten con supervisión o instrucción con relación al uso de este electrodoméstico por parte de una persona responsable de su seguridad. Se deberá estar especialmente atento si el electrodoméstico es usado por niños o se encuentra cerca de los mismos. Los niños deberán ser supervisados a fin de asegurar que no se juegue con el electrodoméstico.
2. No utilice éste, u otro electrodoméstico con funcionamiento a motor, mientras se encuentre bajo la influencia del alcohol u otras sustancias que afecten su tiempo de reacción o percepción.
3. Esta procesadora de alimentos es para uso hogareño únicamente. Use la misma únicamente para la preparación de comidas, como se describe en el manual de recetas e instrucciones adjunto. No use este electrodoméstico para funciones para las cuales no fue diseñado.
4. El uso de accesorios no recomendados o vendidos por el fabricante podrán ocasionar incendios, descargas eléctricas o lesiones personales, o daños sobre su procesadora de alimentos.
5. A fin de evitar posibles fallas de funcionamiento del interruptor del recipiente, nunca guarde la procesadora con el ensamble de la tapa en la posición de bloqueo.
6. La calificación máxima de 550 watts está basada en la cuchilla de corte sobre el recipiente de la procesadora de alimentos, ya que una picadora de alimentos produce mayor potencia. Otros accesorios recomendados producirán un nivel de potencia significativamente más bajo.
7. No utilice su electrodoméstico en un garaje de electrodomésticos o bajo una alacena. Cuando se guarde en un garaje de electrodomésticos, siempre desenchufe la unidad del tomacorriente eléctrico. No hacer esto podrá crear riesgos de incendio, especialmente si el electrodoméstico toca las paredes del garaje o la puerta toca la unidad mientras se cierra.

LEA Y GUARDE ESTAS INSTRUCCIONES

INFORMACIÓN IMPORTANTE DE SEGURIDAD

LEA TODAS LAS INSTRUCCIONES ANTES DE USAR ESTE ELECTRODOMÉSTICO

INFORMACIÓN DE SEGURIDAD

Cuidado y Limpieza

- Al igual que con todos los electrodomésticos potentes, una procesadora de alimentos se deberá manipular con cuidado. Siga estas pautas para protegerse a usted y su familia a través de usos inadecuados que puedan ocasionar lesiones.
- Manipule y guarde la cuchilla y discos metálicos con cuidado . Sus extremos de corte son muy filosos.
- Nunca coloque la cuchilla o los discos sobre la unidad del eje del motor hasta que el recipiente de preparación esté bloqueado en su posición.
- Siempre asegúrese de que la cuchilla o el disco estén colocados en el eje del motor tan abajo como pueda llegar.
- Siempre inserte la cuchilla metálica en el recipiente de preparación antes de colocar los ingredientes dentro de éste.
- Al rebanar o triturar comida, siempre use el dispositivo para empujar. Nunca coloque los dedos o una espátula en el tubo de alimentación.
- Siempre espere a que la cuchilla o el disco deje de girar antes de retirar el ensamble del dispositivo para empujar o la tapa del recipiente de preparación.
- Siempre desenchufe la unidad antes de retirar la comida, limpiar , o de colocar o retirar piezas.
- Siempre retire el recipiente de preparación de la base de la máquina antes de retirar la cuchilla de picado/ mezcla/ masa.
- Tenga el cuidado de evitar que la cuchilla para picar se caiga del recipiente de preparación al vaciar este último. Retire la misma antes de inclinar el recipiente de preparación.

AVISO: Este electrodoméstico cuenta con una carcasa plástica, la cual posee un enchufe polarizado (una clavija es más grande que la otra). A fin de reducir el riesgo de descargas eléctricas, este enchufe se puede insertar en un tomacorriente polarizado de una sola forma. Si el enchufe no entra totalmente en el tomacorriente, dé vuelta el mismo. Si aún no es posible insertarlo, comuníquese con un electricista calificado. No intente forzar esta función de seguridad ni de modificar el enchufe de ninguna manera.

⚠ ADVERTENCIA



RIESGO DE INCENDIOS O DESCARGAS

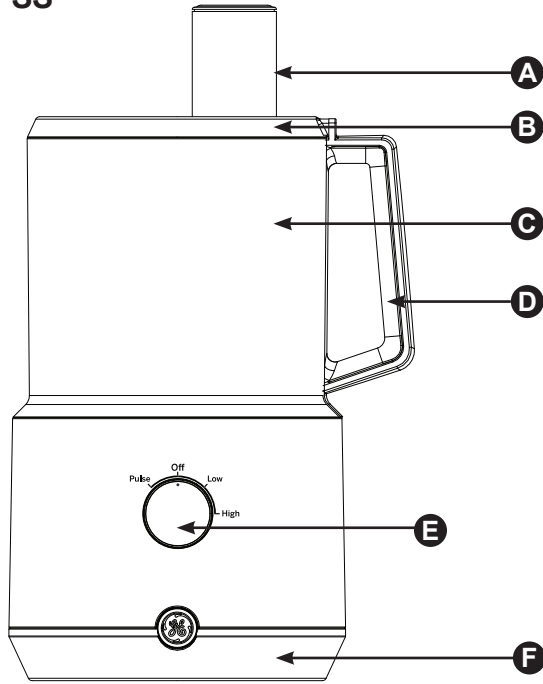
ELÉCTRICAS

- A FIN DE REDUCIR EL RIESGO DE INCENDIOS O DESCARGAS ELÉCTRICAS, NO RETIRE LA TAPA (O LA PARTE TRASERA)
- No intente reparar o reemplazar ninguna parte de su procesadora de alimentos, a menos que se recomiende específicamente en este manual. Cualquier otro trabajo del servicio técnico deberá ser realizado por personal autorizado del servicio.

LEA Y GUARDE ESTAS INSTRUCCIONES

Piezas Incluidas

G8P0AASSPSS



A Tube d'alimentation

B Couverture

C Bol de préparation

D Poignée

E Bouton de commande

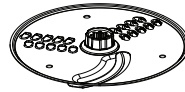
F Base

Accesorios

NOTA: Las piezas que figuran a continuación sólo están incluidas con el modelo G8P0AASSPSS



Triturado fino/ disco de rebanado

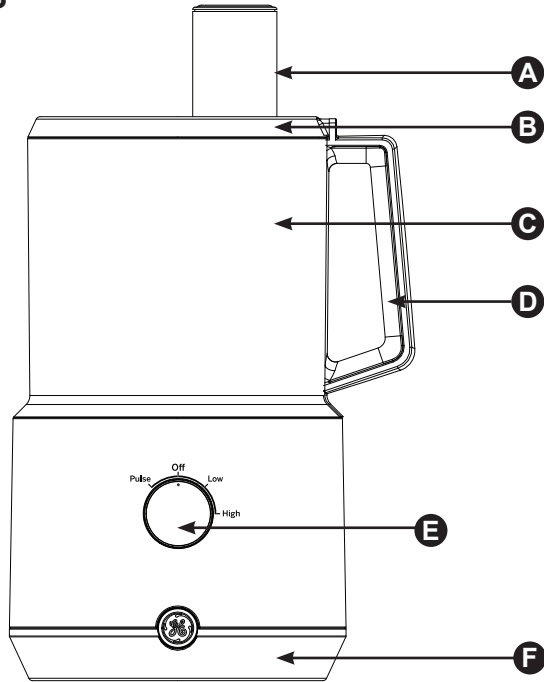


Triturado medio/ disco de rebanado

Piezas Incluidas

G8P1AASSPSS

PIEZAS INCLUIDAS



- A** Tube d'alimentation
- B** Couvercle
- C** Bol de préparation

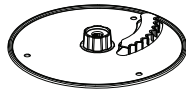
- D** Poignée
- E** Bouton de commande
- F** Base

Accesorios

NOTA: Las piezas que figuran a continuación sólo están incluidas con el modelo G8P1AASSPSS



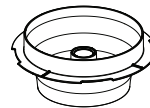
Triturado fino/ disco de rebanado



Disco para patatas fritas



Navaja para masa



Mini recipiente



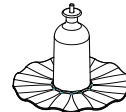
Triturado fino/ disco de rebanado



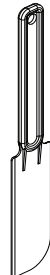
Disco para rallar



Mini Navaja S



Disco de emulsión



Espátula

Accesorios

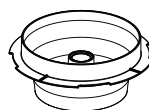
G8PKAASSRSS



Disco para patatas fritas



Navaja para masa



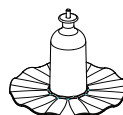
Mini recipiente



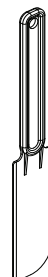
Disco para rallar



Mini Navaja S



Disco de emulsión



Espátula

Puesta en Marcha

Antes del Primer Uso

Antes de usar su procesadora de alimentos por primera vez, lave el recipiente de preparación, la tapa del recipiente de preparación, el dispositivo para empujar, la cuchilla y los discos con agua caliente y jabón.

1. Coloque la base de la procesadora de alimentos sobre una mesada seca y nivelada, con los

controles mirando hacia usted. No enchufe la unidad hasta que esté completamente ensamblada.

2. Con el recipiente sobre la base, use la manija para girar el mismo en sentido horario, a fin de bloquearlo sobre la base de posicionamiento.

Cuchilla de Picado/ Mezcla/ Masa

1. Coloque el recipiente de preparación en la parte superior, con su manija justo un poco hacia la derecha desde el centro. Gire el recipiente de preparación en sentido horario para bloquearlo sobre la base de posicionamiento.
2. Con cuidado, levante y coloque la cuchilla sobre el adaptador del accesorio del recipiente de preparación. La cuchilla deberá descansar sobre la parte inferior del recipiente de preparación.
3. Enchufe la base de posicionamiento.
4. Agregue los ingredientes deseados en el

recipiente de preparación.

5. Coloque la tapa del recipiente de preparación sobre el recipiente de preparación, con el tubo de alimentación un poco hacia la derecha desde el centro. Gire en dirección horaria para que se bloquee en el recipiente de preparación.
6. Alinee el dispositivo de empuje con la abertura del tubo de alimentación en la tapa del recipiente de preparación y deslice el mismo hasta el fondo.
7. Ahora usted está listo para utilizar la máquina.

Discos de Rebanado y Triturado Reversible

1. Coloque el recipiente de preparación sobre la base, con la manija justo un poco hacia la derecha desde el centro. Gire el recipiente de preparación en sentido horario para bloquearlo sobre la base de posicionamiento.
2. Elija el disco deseado.
3. Inserte el adaptador del eje.
4. Con cuidado, coloque el disco sobre el adaptador del eje, con el lado que se está usando hacia la parte superior.
5. Coloque la tapa del recipiente de preparación

sobre el recipiente de preparación, con el tubo de alimentación un poco hacia la derecha desde el centro. Gire en dirección horaria para que se bloquee en el recipiente de preparación.

6. Alinee el dispositivo de empuje con la abertura del tubo de alimentación en la tapa del recipiente de preparación y deslice el mismo hasta el fondo.
7. Enchufe la base de posicionamiento.
8. Ahora usted está listo para utilizar la máquina.

Receta: miel con almendras

• 400g miel

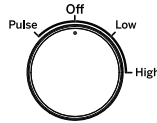
• 300g almendras

• 15 segundos (alta velocidad)

Capacidad Máxima Recomendada para el Recipiente de Preparación

Comida	Capacidad
Frutas, vegetales o queso rebanados o triturados	10 tazas
Frutas, vegetales o queso picados	4 tazas
Frutas o vegetales en puré	3 tazas cocinadas: 1 ½ tazas en puré
Carne, pescado o frutos de mar picados o en puré	1 ½ libras
Líquido poco denso (por ej.: aderezos, sopas, etc.)	7 tazas
Masa para Torta	8 pulgadas de masa de tarta de queso, 1 caja de mezcla para torta (15.25 oz)
Masa para Galleta	2 ½ docenas (basado en la receta regular de galletas con pepitas de chocolate)
Pan blanco/ masa para pizza	2.5 tazas (harina multiuso o para pan)
Manías o mantequilla de maní	3 tazas

Controles



Botones High (Alta) y Low (Baja).

Los controles High (Alta) y Low (Baja) son botones que permiten que la máquina funcione hasta que se presione Off (Apagada).

1. Ensamble y acople la máquina de forma apropiada.
2. Agregue los ingredientes en el recipiente de preparación, ya sea a través del tubo de alimentación o directamente en el recipiente.
3. Gire la perilla hacia la configuración High (Alta) o Low (Baja).
4. Gire la perilla hasta la posición vertical Off (Apagada) una vez finalizada la preparación para apagar la máquina.

Botón de Pulso

Pulso (Pulso) es una configuración que le permite a la máquina funcionar únicamente mientras se está acoplado. Esta capacidad brinda un control más preciso de la duración y frecuencia del procesamiento. A menos que se especifique lo contrario, un pulso debería ser aproximadamente un segundo. Con la máquina correctamente ensamblada y acoplada, y con los ingredientes dentro del recipiente de preparación, gire la perilla hasta la configuración Pulse (Pulso) de forma repetida tantas veces como sea necesario.

Funciones

Uso de la Cuchilla de Picado/ Mezcla/ Masa

- Para ingredientes crudos: pele, deshuese y/o retire semillas y huesos. La comida se deberá cortar de forma pareja, en trozos de ½ a 1 pulgada. Los alimentos cortados en trozos del mismo tamaño producen los resultados más parejos.
- Pulse la comida por incrementos de 1 segundo para cortar. Para realizar el corte más fino, presione High (Alta) o Low (Baja) para hacer funcionar la máquina de forma continua. Observe los ingredientes de forma detenida para lograr la consistencia deseada y raspe el recipiente de preparación tanto como sea necesario. Se recomienda usar la velocidad baja para la preparación de masas y rebozados. Se recomienda la velocidad alta para la mayoría de las demás tareas de cortes, procesamiento y rebanados/ triturados.

Puré

- Para hacer puré de frutas frescas o frutas/ vegetales cocidos: los ingredientes se deberán cortar en trozos de 1 pulgada; es más fácil lograr un puré uniforme cuando todos los trozos poseen el mismo tamaño. Presione Pulse (Pulso) para cortar inicialmente y luego procese en High (Alta) o Low (Baja) hasta que se forme un puré; raspe el recipiente de preparación tanto como sea necesario. No use este método para hacer puré de tomates blancos cocidos, ya que la mezcla se podrá volver demasiado pegajosa para ser procesada.
- Para hacer puré con sólidos para una sopa o salsa: escurra los sólidos del líquido y procese los sólidos aparte. Agregue líquido de la cocción y procese según sean necesario.

Uso de los Discos de Rebanado/ Triturado Reversibles

- El disco de rebanado produce rebanadas enteras. Rebana frutas y vegetales, carne cocida y carne cruda semicongelada. El disco de rebanado rebana los quesos más firmes y duros. También rebana vegetales tales como papas, zanahorias y calabacines.
- Siempre coloque los alimentos en el tubo de alimentación de forma pareja para rebanar y triturar. El alimento determinará la cantidad de presión necesaria: use un nivel de presión suave para comidas blandas, presión media para comidas de dureza media y presión firme para comidas más duras. Siempre procese aplicando una presión pareja.
- Para frutas y vegetales redondos: retire una rebanada gruesa del fondo del alimento, de modo que se apoye de forma erguida sobre el tubo de alimentación. Si el alimento no entra en el tubo de alimentación, corte el mismo a la mitad o en cuartos para que entre. Procese aplicando una presión pareja.
- Para ingredientes pequeños tales como hongos, rábanos o fresas: corte los extremos de modo que el alimento se apoye de forma erguida sobre el tubo de alimentación.
- Al rebanar o triturar queso, asegúrese de que éste se encuentre bien refrigerado.
- Para triturar vegetales con hojas tales como lechuga o espinaca: enrolle las hojas y coloque las mismas de forma erguida sobre el tubo de alimentación. Procese aplicando una presión pareja.

NOTA: Siempre use el dispositivo para empujar al rebanar o triturar. Nunca coloque las manos en el tubo de alimentación mientras la unidad está funcionando.

Cuidado y Limpieza

- Mantenga la cuchilla y los discos fuera del alcance de los niños.
- Todas las piezas excepto la base de posicionamiento son de uso seguro en el lavavajillas, y le recomendamos lavarlas en el estante superior de éste únicamente. Debido al calor intenso del agua, lavar el recipiente de preparación, la tapa y los accesorios en el estante inferior podrá ocasionar daños con el paso del tiempo. Inserte la tapa con el tubo de alimentación mirando hacia arriba, a fin de asegurar una limpieza apropiada. Inserte el recipiente de preparación y el dispositivo para empujar mirando hacia abajo para su desagüe. Recuerde descargar el lavavajillas con cuidado cuando haya colocado cuchillas y discos filosos.
- A fin de simplificar la limpieza, enjuague el recipiente de preparación, la tapa, el dispositivo para empujar y la cuchilla o disco de forma inmediata luego del uso, de modo que la comida no se seque sobre estos. Asegúrese de posicionar al revés el dispositivo para empujar para poder realizar su desagüe. Si se acumula agua en el dispositivo para empujar, retire la misma dejando correr agua sobre el mismo, o use una escobilla para botellas. Asegúrese de enjuagar el lado inferior del eje desmontable, a fin de evitar que se acumule cualquier tipo de comida en el mismo.
- Si lava la cuchilla y los discos de forma manual, hágalo con cuidado. Evite dejar los mismos en agua con jabón donde los pueda perder de vista. Para limpiar la cuchilla metálica, llene el recipiente de preparación con agua y jabón, sostenga la cuchilla desde su centro de plástico y realice un movimiento rápido hacia arriba y abajo sobre la varilla central del recipiente. El uso de un accesorio de spray también es efectivo. De ser necesario, use un cepillo.
- El recipiente de preparación está fabricado de plástico SAN. No se deberá colocar en un horno microondas.
- La base de posicionamiento se podrá limpiar con un material jabonoso y no abrasivo. Asegúrese de secar completamente.
- Si las patas dejan manchas sobre la mesada, rocíe las mismas con un limpia manchas y limpie con una esponja húmeda.
- Si queda algún resto de la mancha, repita el procedimiento y limpie el área con una esponja húmeda y un polvo de limpieza no abrasivo.

IMPORTANTE: Nunca guarde una cuchilla o disco en el eje del motor. No se deberá colocar una cuchilla o disco en el eje, excepto cuando se esté por usar la procesadora.

MANTENIMIENTO: Cualquier otro trabajo del servicio técnico deberá ser realizado por un representante autorizado del servicio técnico.

PRECAUCIÓN PARA SU SEGURIDAD

- Al igual que con todos los electrodomésticos potentes, una procesadora de alimentos se deberá manipular con cuidado. Siga estas pautas para protegerse a usted y su familia a través de usos inadecuados que puedan ocasionar lesiones.
- Manipule y guarde la cuchilla y discos metálicos con cuidado. Sus extremos de corte son muy filosos.
- Nunca coloque la cuchilla o los discos sobre la unidad del eje del motor hasta que el recipiente de trabajo esté bloqueado en su posición.
- Siempre asegúrese de que la cuchilla o el disco estén colocados en el eje del motor tan abajo como pueda llegar.
- Siempre inserte la cuchilla metálica en el recipiente de preparación antes de colocar los ingredientes dentro de éste.
- Al rebanar o triturar comida, siempre use el dispositivo para empujar. Nunca coloque los dedos o una espátula en el tubo de alimentación.
- Siempre espere a que la cuchilla o el disco dejen de girar antes de retirar el ensamble del dispositivo para empujar o la tapa del recipiente de preparación.
- Siempre desenchufe la unidad antes de retirar la comida, limpiar, o de colocar o retirar piezas.
- Siempre retire el recipiente de preparación de la base de la máquina antes de retirar la cuchilla para picar/ mezclar/ hacer masa.
- Tenga el cuidado de evitar que la cuchilla para picar se caiga del recipiente de preparación al vaciar este último. Retire la misma antes de inclinar el recipiente de preparación.

Solución de Problemas

Datos Técnicos

El motor de su procesadora de alimentos funciona a través de un circuito de corriente estándar. El voltaje y frecuencia apropiados de su máquina figuran en una etiqueta en la parte inferior de la base. Un disyuntor automático con control de temperatura en el motor asegura una protección completa contra desgastes del mismo. Si la procesadora funciona durante un tiempo excepcionalmente prolongado al cortar, mezclar o amasar una mezcla gruesa o pesada a través de series sucesivas, el motor se podrá sobrecalentar. Si esto sucede, la procesadora se detendrá. Apague

la misma y espere hasta que el motor se enfríe antes de proceder. Normalmente se enfriará dentro de los 10 minutos. En casos extremos, podrá tardar una hora. De forma segura, los interruptores evitan que el motor entre en funcionamiento cuando el recipiente de preparación o la tapa no se encuentren en sus posiciones correctas. El motor se detendrá dentro de los 10 segundos cuando éste sea apagado; y cuando el ensamble del dispositivo para empujar sea retirado, un circuito de detención rápida también permitirá que el motor se detenga en segundos.

Solución de Problemas

¡Ahorre tiempo y dinero! Primero revise los cuadros que aparecen en las siguientes páginas y es posible que no necesite solicitar reparaciones.

Problema	Solución
La comida se procesa de forma irregular.	Los ingredientes se deberán cortar de forma pareja, en trozos de ½ a 1 pulgada antes de ser procesados.
	Procese en series para evitar sobrecargas.
Las rebanadas quedan desperejadas o irregulares.	Coloque de forma regular la comida a cortar, con el lado a cortar hacia abajo, en el tubo de alimentación.
	Aplique una presión pareja sobre el dispositivo de empuje.
La comida baja por el tubo de alimentación.	El tubo de alimentación se deberá llenar para obtener mejores resultados.
Algunos alimentos permanecen en la parte superior del disco.	Es normal que permanezcan pequeños trozos; corte los trozos restantes de forma manual y agregue estos a los ingredientes procesados.
El queso no se tritura bien.	El queso deberá ser procesado de forma inmediata luego de ser retirado del refrigerador. Los quesos blandos como el mozzarella se deberán colocar en el freezer durante 30 minutos antes de su procesamiento, a fin de asegurar que esté lo suficientemente firme para ser triturado.
El motor se ralentiza	La cantidad de masa excede la capacidad máxima de su procesadora de alimentos. Retire la mitad y realice el procesamiento en dos series.
	La masa puede estar demasiado húmeda (ver el número 8). Si el motor se acelera, continúe procesando. De lo contrario, agregue más harina, 1 cucharada a la vez, hasta que el motor se acelere. Procese hasta que la masa limpie los lados del tazón de trabajo.
La cuchilla no incorpora los ingredientes.	Siempre active la procesadora de alimentos antes de agregar líquido. Agregue líquido a través de un vapor lento y parejo, o a través del agujero para rociar del dispositivo para empujar, permitiendo que los ingredientes secos lo absorban. Si se agrega demasiado líquido, espere hasta que los ingredientes del recipiente de preparación se hayan mezclado, y luego agregue el líquido restante lentamente (no apague la máquina). Vierta líquido en la masa mientras pasa por la abertura del tubo de alimentación; no vierta líquido directamente sobre la parte inferior del recipiente de preparación.
La cuchilla se eleva en el recipiente de preparación.	Una masa excesivamente adherente podrá hacer que la cuchilla se eleve. Con cuidado, vuelva a insertar la cuchilla e inmediatamente agregue 2 cucharadas soperas de harina a través del tubo de alimentación, mientras el motor esté funcionando.
La masa no se limpia dentro del recipiente de preparación.	La cantidad de masa excede la capacidad máxima de su procesadora de alimentos. Retire la mitad y realice el procesamiento en dos series.
	Es posible que la masa esté demasiado seca.
	Es posible que la masa esté demasiado húmeda.
Se forma un excedente de masa sobre la cuchilla que no permite que quede amasada de manera uniforme.	Detenga la máquina, con cuidado retire la masa, divida la misma en 3 piezas y redistribuya la misma de forma pareja en el recipiente de preparación.
La masa queda dura luego del amasado.	Divida la masa en 2 o 3 piezas y redistribuya la misma de forma pareja en el recipiente de preparación. Procese la misma durante 10 segundos o hasta que quede uniformemente suave y flexible.
La masa está demasiado seca.	Mientras la máquina está en funcionamiento, agregue agua, 1 cucharada sopera por vez, hasta que la masa limpie el interior del recipiente.
La masa está demasiado húmeda.	Mientras la máquina está en funcionamiento, agregue harina, 1 cucharada sopera por vez, hasta que la masa limpie el interior del recipiente.
El motor no se enciende.	Existe un bloque de seguridad para evitar que el motor se active si no se encuentra correctamente ensamblado. Asegúrese de que el recipiente de preparación y su tapa estén bloqueados de forma segura en sus posiciones.
	Si el motor aún no se activa, controle el cable de corriente y el tomacorriente.
La procesadora de alimentos se apaga durante el funcionamiento.	Es posible que la tapa se haya desbloqueado; controle que esté asegurada en su posición.
	Un protector de seguridad del motor impide que éste se sobrecaliente, lo cual es causado por un nivel de exigencia excesivo. Presione el botón de control Off (Apagada) y espere entre 20 y 30 minutos para permitir que la procesadora de alimentos se enfríe antes de su reinicio.
El motor se ralentizó durante el funcionamiento	Esto es normal, ya que algunas cargas más pesadas (por ejemplo: rebanado/ triturado de queso) podrán requerir que el motor use mayor potencia. Simplemente reposicione la comida en el tubo de alimentación e intente nuevamente.
	Es posible que se haya excedido la máxima capacidad de carga. Retire algunos de los ingredientes y continúe procesando.
La procesadora de alimentos vibró/ se movió sobre la mesada durante el procesamiento.	Asegúrese de que los pies de goma de la parte inferior de la unidad estén limpios y secos. También asegúrese de que la máxima capacidad de carga no sea superada.
	Esto es normal, ya que algunas cargas más pesadas (por ejemplo: rebanado/ triturado de queso) podrán requerir que el motor use mayor potencia.

Garantía Limitada

GEAppliances.com

Si votre appareil ne fonctionne pas correctement pendant son utilisation dans des conditions domestiques normales pendant la période de garantie, visitez geappliances.com/contact pour une assistance / entretien du produit.

Pour lancer une réclamation au titre de la garantie, veuillez visiter geappliances.com/contact ou appeler le 1-800-GEARES. Veuillez avoir votre numéro de modèle et votre numéro de série à portée de main. Les informations relatives au retour et aux instructions d'emballage seront fournies à ce moment.

Por el Periodo de:	GE Appliances Cubrirá
Un Año Desde la fecha de la compra original	Si la procesadora de alimentos falla debido a un defecto en los materiales o la fabricación, durante la garantía limitada de un año, GE Appliances reemplazará su producto por uno nuevo o por un producto remanufacturado, o le devolverá el valor de la compra del producto a discreción de GE Appliances.

Qué No Cubrirá GE

- Viajes del servicio técnico a su hogar.
- Instalación, entrega o mantenimiento inadecuados.
- Fallas del producto en caso de abuso, mal uso, o uso para propósitos diferentes al original o uso comercial.
- Reemplazo de fusibles de la casa o reinicio de disyuntores.
- Daño causado después de la entrega.
- Reemplazo de las bombillas de luz, si se incluyen.
- Daños ocasionados sobre el producto por accidente, incendio, inundaciones o catástrofes naturales.
- Daños incidentales o consecuentes causados por posibles defectos sobre este electrodoméstico.
- Trabajo y otros cargos para instalar y/o retirar el producto.

EXCLUSIÓN DE GARANTÍAS IMPLÍCITAS

Su única y exclusiva alternativa es el cambio del producto o la devolución del dinero, como se indica en esta Garantía Limitada. Las garantías implícitas, incluyendo garantías implícitas de comerciabilidad o conveniencia sobre un propósito particular, se limitan a un año o al período más corto permitido por la ley.

Para su venta en los 50 Estados Unidos y el Distrito de Columbia únicamente: Para Clientes de EE.UU.: Esta garantía limitada se extiende al comprador original de productos comprados para uso hogareño dentro de EE.UU. En Alaska y Hawái, la garantía limitada no incluye los costos de envío de las unidades. Algunos estados no permiten la exclusión o limitación de daños fortuitos o consecuentes. Esta garantía le da derechos legales específicos y es posible que tenga otros derechos legales que varían entre un estado y otro. Para conocer cuáles son sus derechos legales, consulte a la oficina de asuntos del consumidor local o estatal o al Fiscal de su estado.

**Garante: GE Appliances, una empresa de Haier
Louisville, KY 40225**

Para clientes en Canadá: esta garantía limitada se extiende al comprador original y a cualquier propietario posterior de los productos comprados en Canadá para uso doméstico dentro de Canadá. El servicio de orden a domicilio se proporcionará en áreas donde esté disponible y Mabe lo considere razonable.

Garante Canada: MC Commercial, Burlington, Ontario, L7R 5B6

Abroche su recibo aquí. Para acceder al servicio técnico de acuerdo con la garantía deberá contar con la prueba de la fecha original de compra.

Soporte al Cliente

Servicio y Registro

¡Registre su electrodoméstico nuevo a través de Internet, según su conveniencia! Un registro puntual de su producto permitirá una mejor comunicación y un servicio más puntual de acuerdo con los términos de su garantía, en caso de surgir la necesidad.

Registre su electrodoméstico en GEAppliances.com/register.

Contáctenos

Si no se encuentra satisfecho con el servicio que recibió de GE Appliances, comuníquese con nosotros a través de nuestro sitio Web con todos los detalles, incluyendo su número telefónico, o escriba a:

En EE.UU.: General Manager, Customer Relations | GE Appliances, Appliance Park |
Louisville, KY 40225 GEAppliances.com/contact

En Canadá: Director, Consumer Relations, MC Commercial Inc. | Suite 310, 1 Factory Lane |
Moncton, N.B. E1C 9M3 GEAppliances.ca/en/contact-us